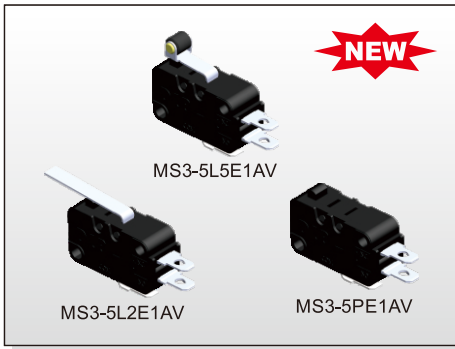


MICRO SWITCH MS3 SERIES



FEATURES

- ※27.8x10.3x15.9mm
- ※Solder terminal & quick-connect terminal

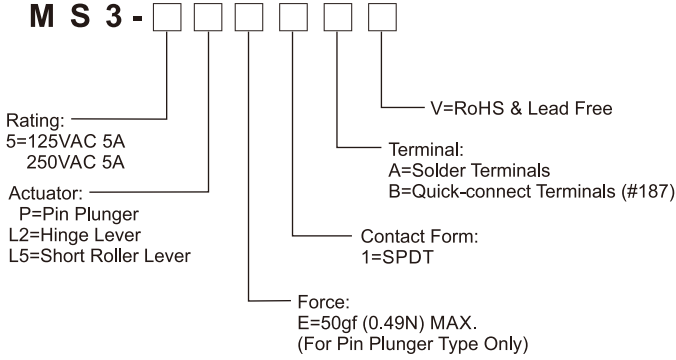
APPLICATION

- ※Notebook
- ※Audio equipment
- ※White goods

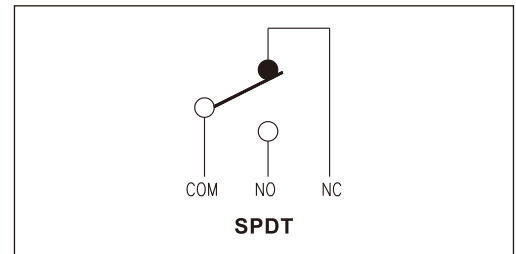
SPECIFICATION

Contact Rating	5A at 125/250VAC
Mechanical Durability	5,000,000 cycles MIN.
Electrical Durability	100,000 cycles MIN.
Contact Resistance	100mΩ MAX.
Insulation Resistance	100MΩ MIN. (at 500VDC)
Dielectric Strength	Between terminals of the same polarity: 600VAC(50Hz or 60Hz) shall be applied across terminals for 1 minute
	Between each terminal and ground: 1500VAC(50Hz or 60Hz) shall be applied across terminals for 1 minute
Operating Temp.	Between each terminal and non-current-carrying metal parts 1500VAC(50Hz or 60Hz) shall be applied across terminals for 1 minute
	-40°C ~ +85°C

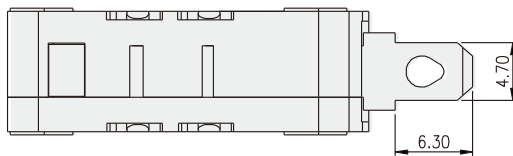
HOW TO ORDER



CIRCUIT

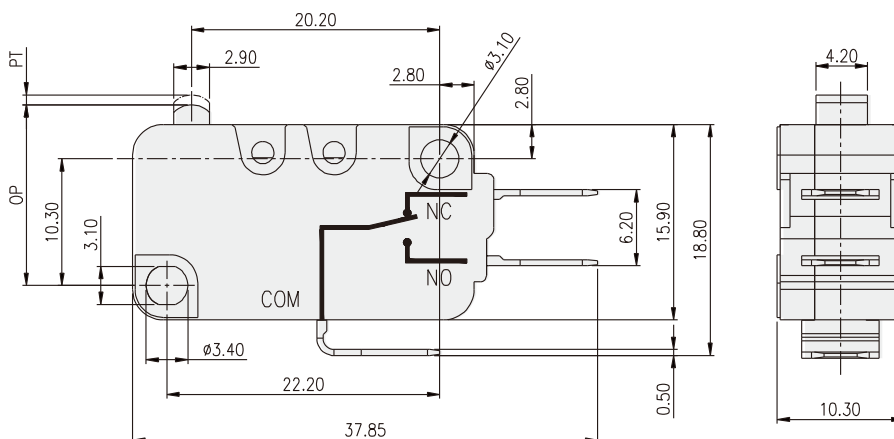


MS3-5PE1AV



OPERATING CHARACTERISTICS

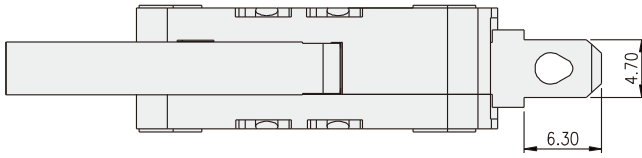
ITEM	SPEC.
OPERATING FORCE(OF)	50gf (0.49N) MAX.
RELEASE FORCE(RF)	5gf (0.05N) MIN.
PRETRAVEL(PT)	1.20mm MAX.
OVERTRAVEL(OT)	1.0mm MIN.
MOVEMENT DIFFERENTIAL(MD)	0.40mm MAX.
OPERATING POSITION(OP)	14.70±0.4mm



MICRO SWITCH
MS3 SERIES

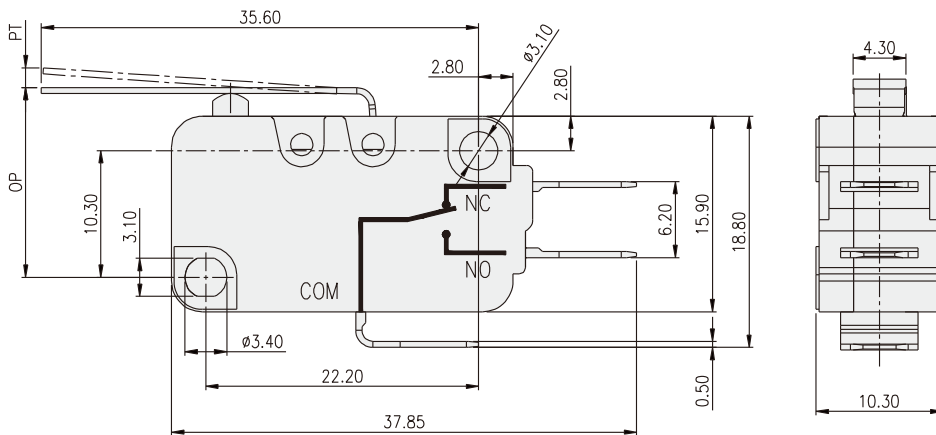


MS3-5L2E1AV

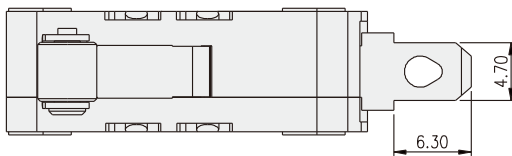


OPERATING CHARACTERISTICS

ITEM	SPEC.
OPERATING FORCE(OF)	30gf (0.29N) MAX.
OVERTRAVEL(OT)	1.60mm MIN.
MOVEMENT DIFFERENTIAL(MD)	0.80mm MAX.
OPERATING POSITION(OP)	15.20±1.20mm
PRETRAVEL(PT)	4.0mm MAX.

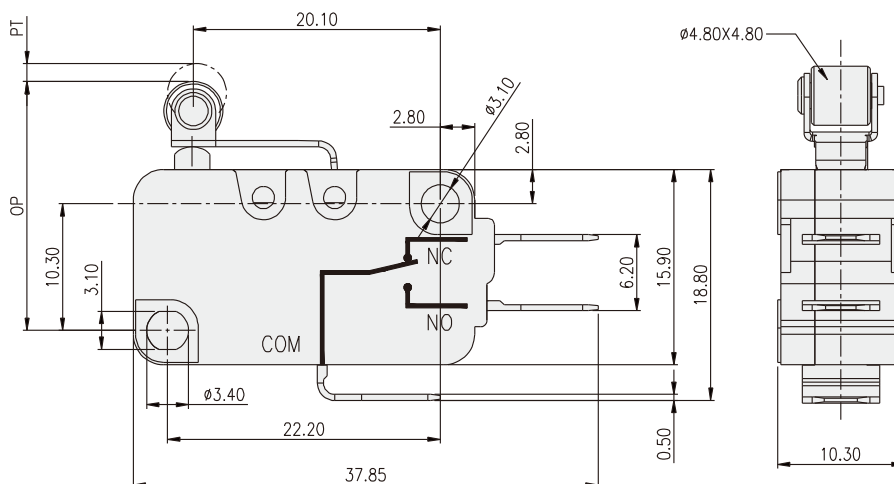


MS3-5L5E1AV

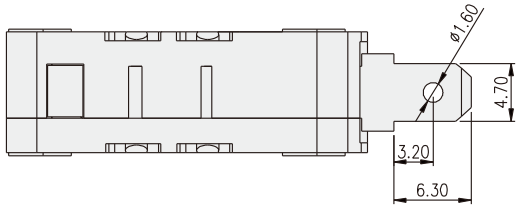


OPERATING CHARACTERISTICS

ITEM	SPEC.
OPERATING FORCE(OF)	60gf (0.59N) MAX.
RELEASE FORCE(RF)	4gf (0.04N) MIN.
PRETRAVEL(PT)	1.60mm MAX.
OVERTRAVEL(OT)	0.8mm MIN.
MOVEMENT DIFFERENTIAL(MD)	0.50mm MAX.
OPERATING POSITION(OP)	20.70±0.6mm

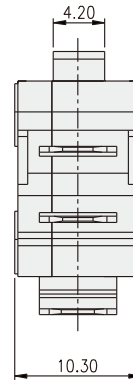
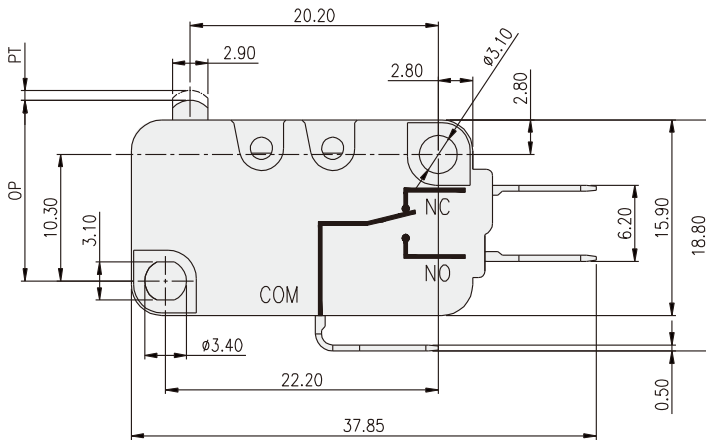


MS3-5PE1BV

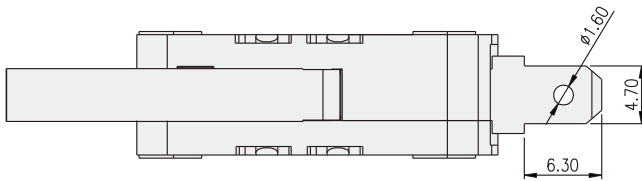


OPERATING CHARACTERISTICS

ITEM	SPEC.
OPERATING FORCE(OF)	50gf (0.49N) MAX.
RELEASE FORCE(RF)	5gf (0.05N) MIN.
PRETRAVEL(PT)	1.20mm MAX.
OVERTRAVEL(OT)	1.0mm MIN.
MOVEMENT DIFFERENTIAL(MD)	0.40mm MAX.
OPERATING POSITION(OP)	14.70±0.4mm

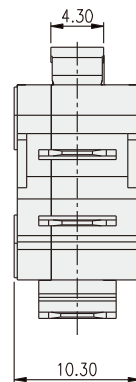
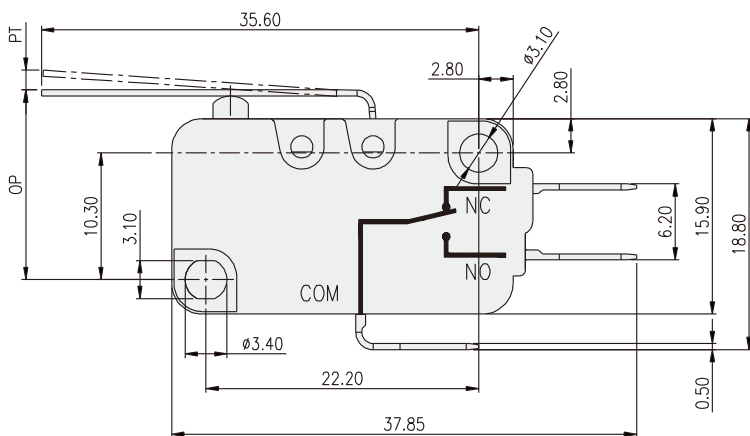


MS3-5L2E1BV



OPERATING CHARACTERISTICS

ITEM	SPEC.
OPERATING FORCE(OF)	30gf (0.29N) MAX.
OVERTRAVEL(OT)	1.60mm MIN.
MOVEMENT DIFFERENTIAL(MD)	0.80mm MAX.
OPERATING POSITION(OP)	15.20±1.20mm
PRETRAVEL(PT)	4.0mm MAX.



MS3-5L5E1BV

OPERATING CHARACTERISTICS

ITEM	SPEC.
OPERATING FORCE(OF)	60gf (0.59N) MAX.
RELEASE FORCE(RF)	4gf (0.04N) MIN.
PRETRAVEL(PT)	1.60mm MAX.
OVERTRAVEL(OT)	0.8mm MIN.
MOVEMENT DIFFERENTIAL(MD)	0.50mm MAX.
OPERATING POSITION(OP)	20.70±0.6mm

