

**FEATURES**

- ✧ For high density mounting
- ✧ Vertical or side actuation
- ✧ Reflow solderable

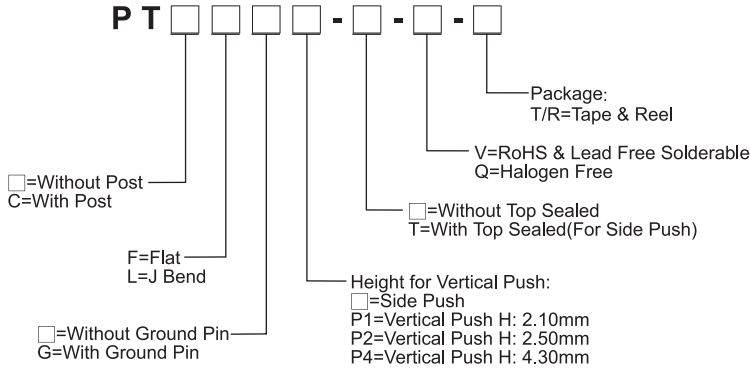
**APPLICATION**

- ✧ Automotive
- ✧ Portable electronic device
- ✧ Control panel

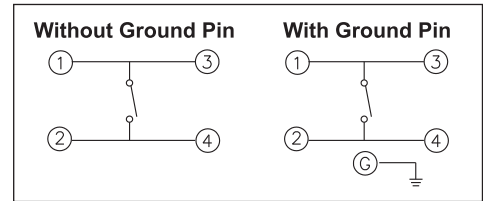
**SPECIFICATION**

Contact Rating	50mA, 12V DC
Contact Resistance	100mΩ max.
Insulation Resistance	100MΩ min. 500V DC
Dielectric Strength	250V AC/1 minute
Operating Force	160±50gf (Vertical Push) 220+80/-70gf (Side Push)
Travel	0.20mm (Vertical Push) 0.30mm (Side Push)
Operating Life	100,000 cycles
Operating Temp.	-40°C ~ +85°C
Storage Temp.	-40°C ~ +85°C

**HOW TO ORDER**



**CIRCUIT**

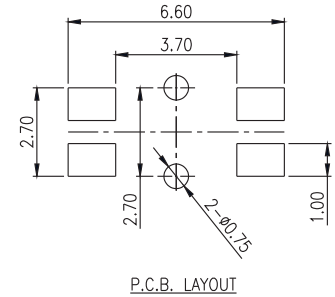
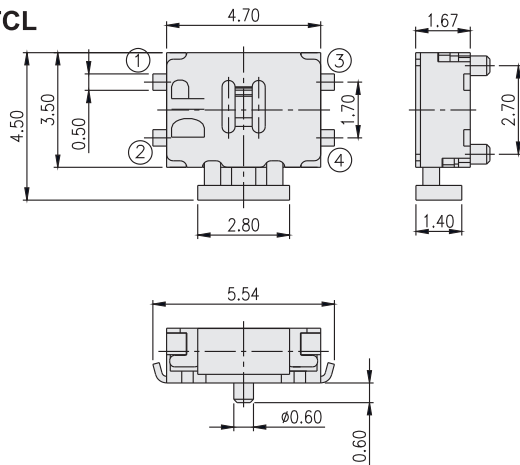


**PACKAGE**

**<Tape & Reel>**

Side push: 3000 pcs  
 Vertical push: 2400 pcs  
 PTF(L)GP4: 1600 pcs

**PTCL**



**PTCFG**

