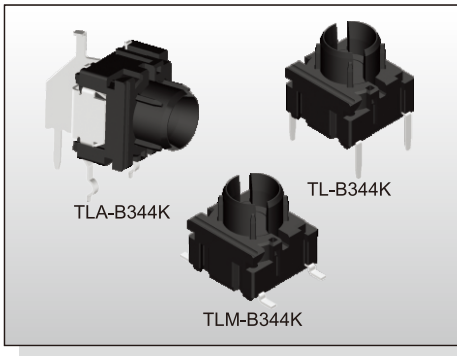


# TACT SWITCH TL( )-B344 SERIES

10x10  
High Reliability



## FEATURES

- ✘ Sealed
- ✘ Long life of 10million
- ✘ Variety of actuator lengths

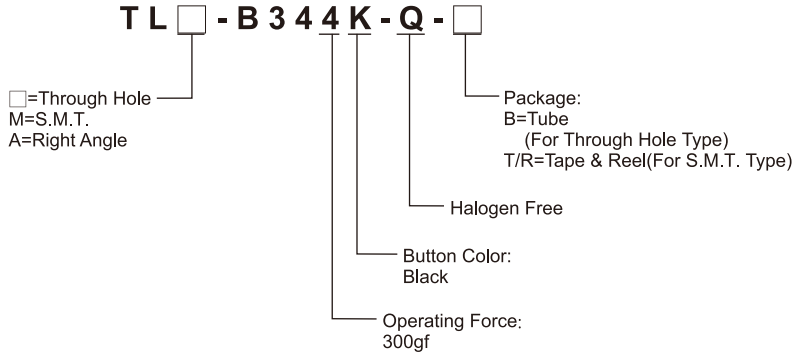
## APPLICATION

- ✘ Music instrument
- ✘ Intercom system
- ✘ Industrial

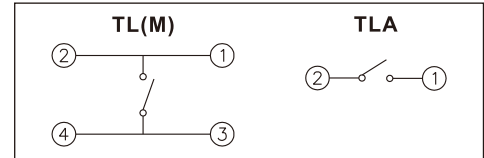
## SPECIFICATION

Contact Rating	0.5~50mA, 24V DC
Contact Resistance	30mΩ max.
Insulation Resistance	10MΩ min. 100V DC
Dielectric Strength	250V AC/1 minute
Operating Force	300±75gf
Travel	1mm
Operating Life	10,000, 000 cycles
Operating Temp.	-40°C ~ +160°C
Storage Temp.	-40°C ~ +160°C

## HOW TO ORDER



## CIRCUIT

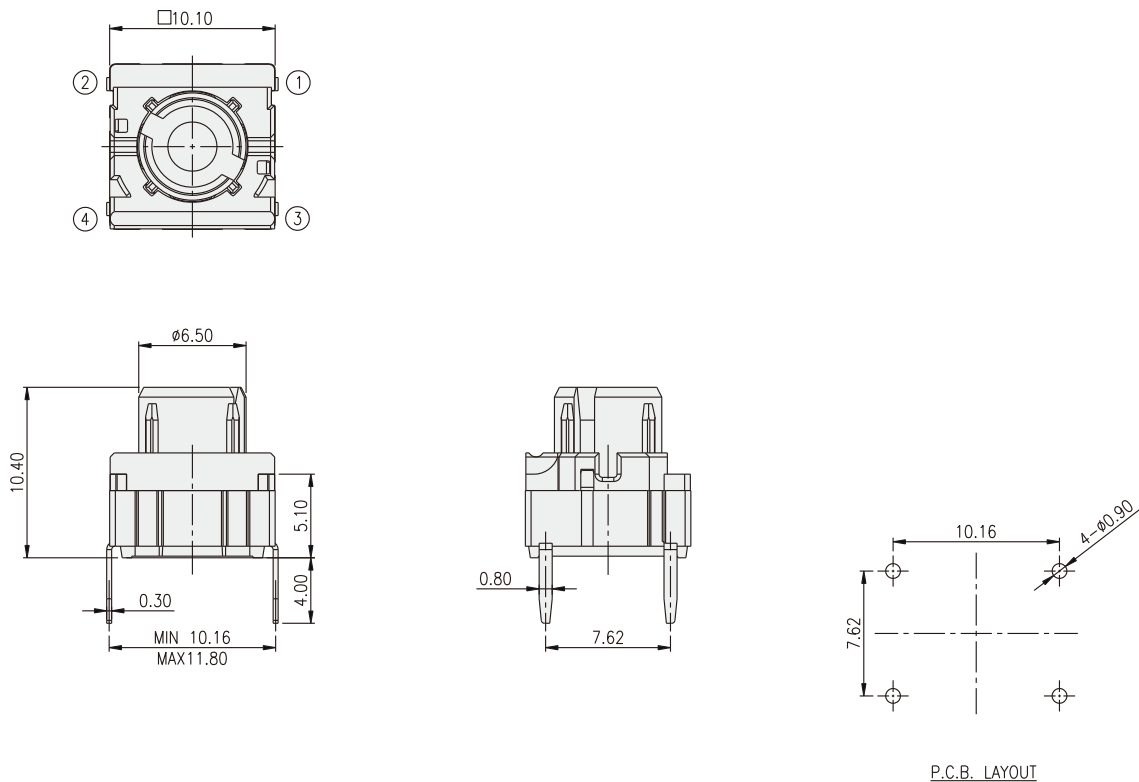


## PACKAGE

<Tube>  
TL(A): 45 pcs  
<Tape & Reel>  
TLM: 300 pcs

TACT SWITCH

## TL-B344K

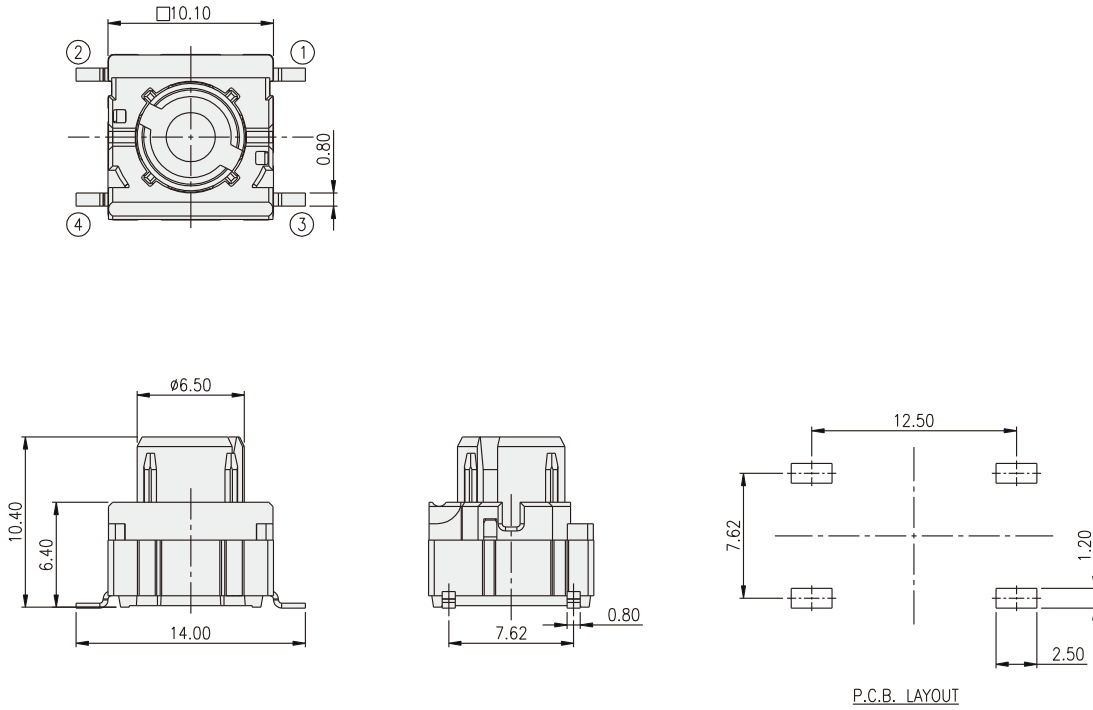


TACT SWITCH  
**TL( )-B344 SERIES**

10x10  
**High Reliability**



**TLM-B344K**



TACT SWITCH

**TLA-B344K**

