

# TACT SWITCH DTS(G)(P)-2 SERIES

## 12x12 Through Hole With Ground Terminal Type



### FEATURES

- ※ Snap in type with ground pin
- ※ Guide bosses available
- ※ Cap options

### APPLICATION

- ※ Audio, OA equipment
- ※ Instrumentation
- ※ Industrial

### SPECIFICATION

Contact Rating	50mA, 12V DC
Contact Resistance	100mΩ max.
Insulation Resistance	100MΩ min. 500V DC
Dielectric Strength	250V AC/1 minute
Operating Force	130±50gf, Black(K) 160±50gf, Brown(N) 260±50gf, Red(R) 320±80gf, Salmon(S) 520±130gf, Yellow(Y)
Travel	0.35mm
Operating Life	Phosphor Bronze Dome 100,000 cycles for 520/320/260gf 200,000 cycles for 160gf
	Stainless Steel Dome 300,000 cycles for 520/320gf 500,000 cycles for 260gf 1,000,000 cycles for 160gf 10,000,000 cycles for 130gf
Operating Temp.	-25°C ~ +70°C
Storage Temp.	-30°C ~ +80°C

### HOW TO ORDER



### CIRCUIT



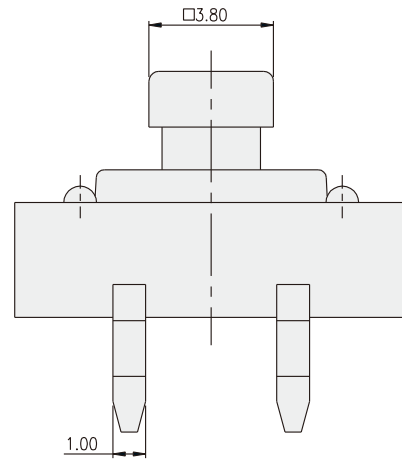
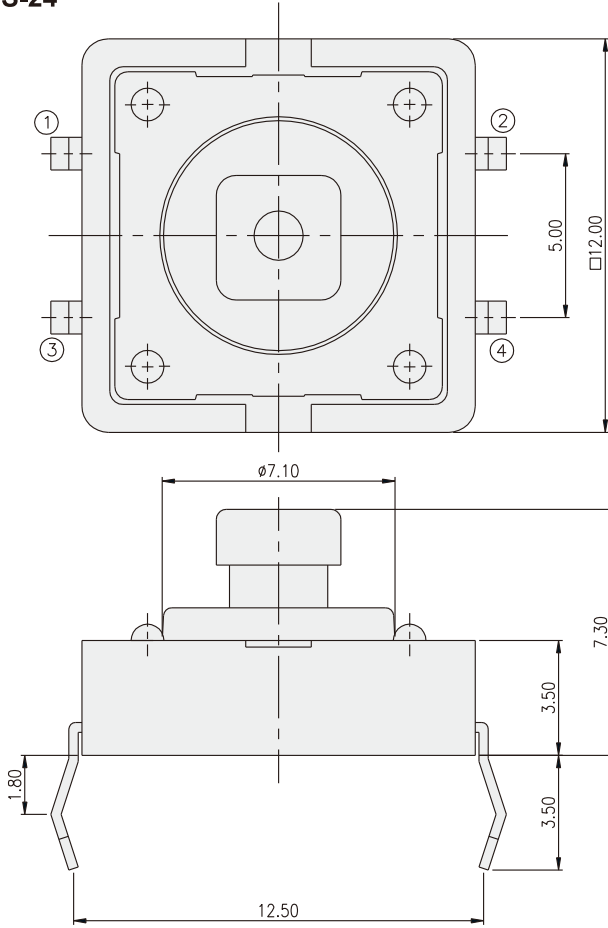
### PACKAGE

<Bag>  
500 pcs  
<Tube>  
DTS-2: 40 pcs

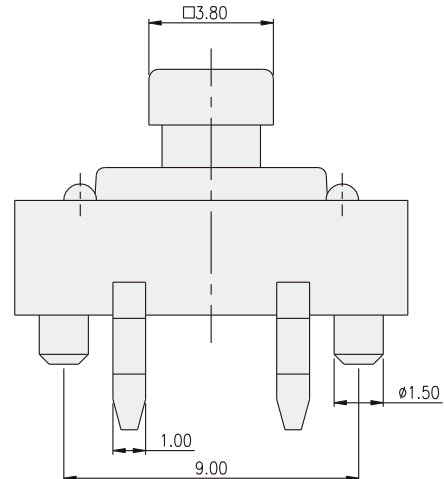
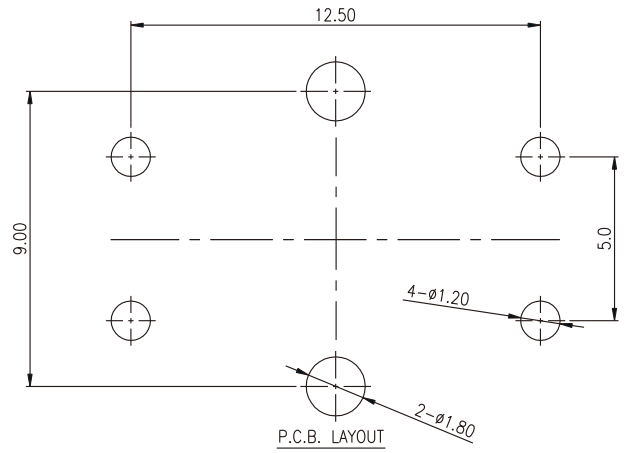
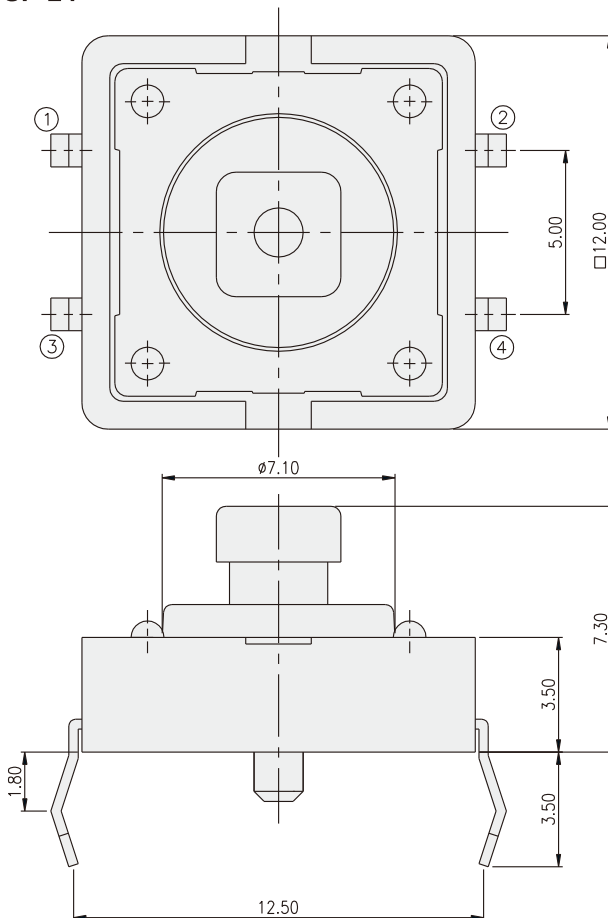
### DTS-2



**DTS-24**



**DTSP-24**



**DTSG-2**



PART NO.	H
DTSG-21	4.30
DTSG-23	7.40
DTSG-25	8.50

P.C.B. LAYOUT



TACT SWITCH

**DTSGP-2**



PART NO.	H
DTSGP-21	4.30
DTSGP-23	7.40
DTSGP-25	8.50

P.C.B. LAYOUT

