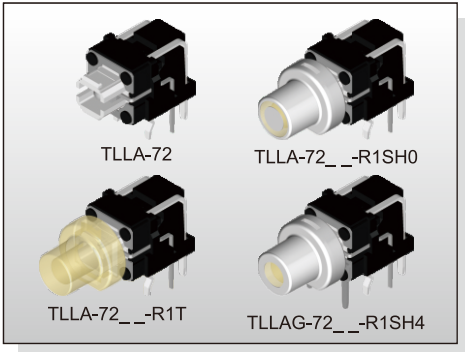


ILLUMINATED SWITCH TL(L)A(G)-7 SERIES

Tact Switch
Illuminated



FEATURES

- ※Horizontal operation
- ※Various LED colors
- ※Options of different cap color & mark

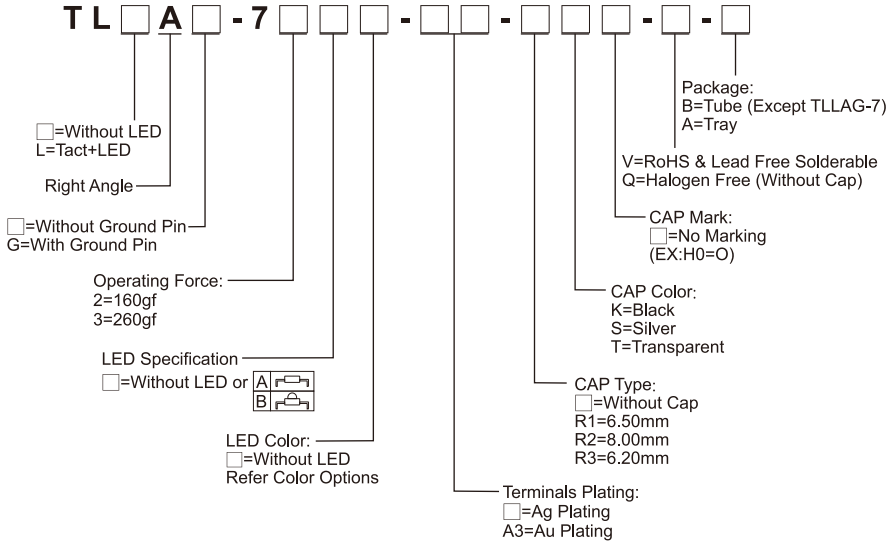
APPLICATION

- ※Automotive
- ※Server
- ※Laptop, IPC

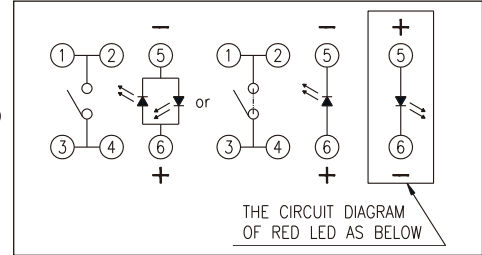
SPECIFICATION

Contact Rating	50mA, 12V DC
Contact Resistance	100mΩ max.
Insulation Resistance	100MΩ min. 500V DC
Dielectric Strength	250V AC/1 minute
Operating Force	160±50gf / 260±50gf
Travel	0.2mm
Operating Life	500, 000 cycles
Operating Temp.	-40°C ~ +85°C
Storage Temp.	-40°C ~ +85°C

HOW TO ORDER



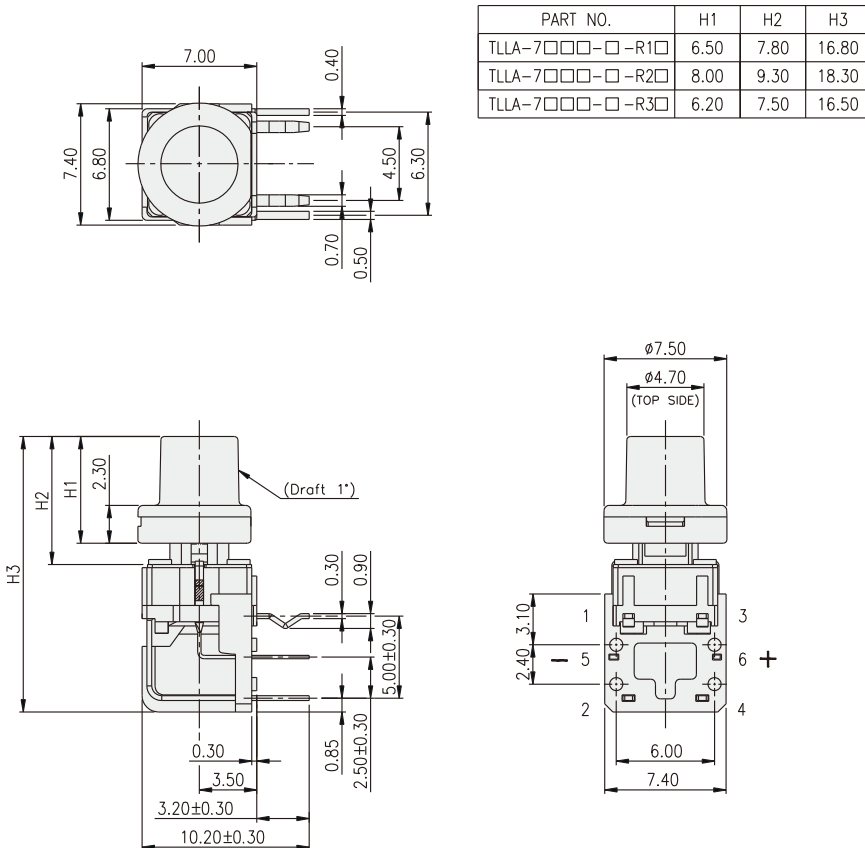
CIRCUIT



PACKAGE

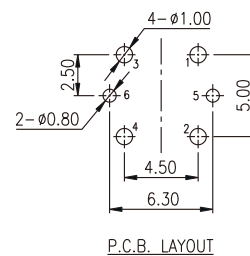
- <Tray>
TL(A)-7□-A: 100 pcs.
- <Tube>
TL(A)-7□-B: 64 pcs.

TL(A)-72□□-R□



NOTE :

	CAP	
	MARK	MARK
H0		H8
H1		H9
H2		HA
H3		HB
H4		HC
H7		



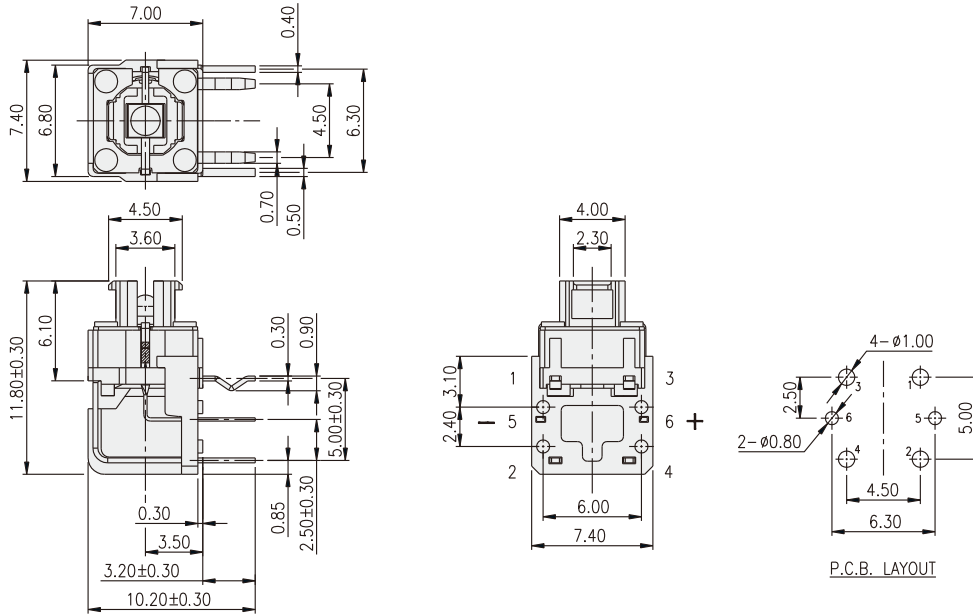
ILLUMINATED SWITCH TL(L)A(G)-7 SERIES

Tact Switch
Illuminated

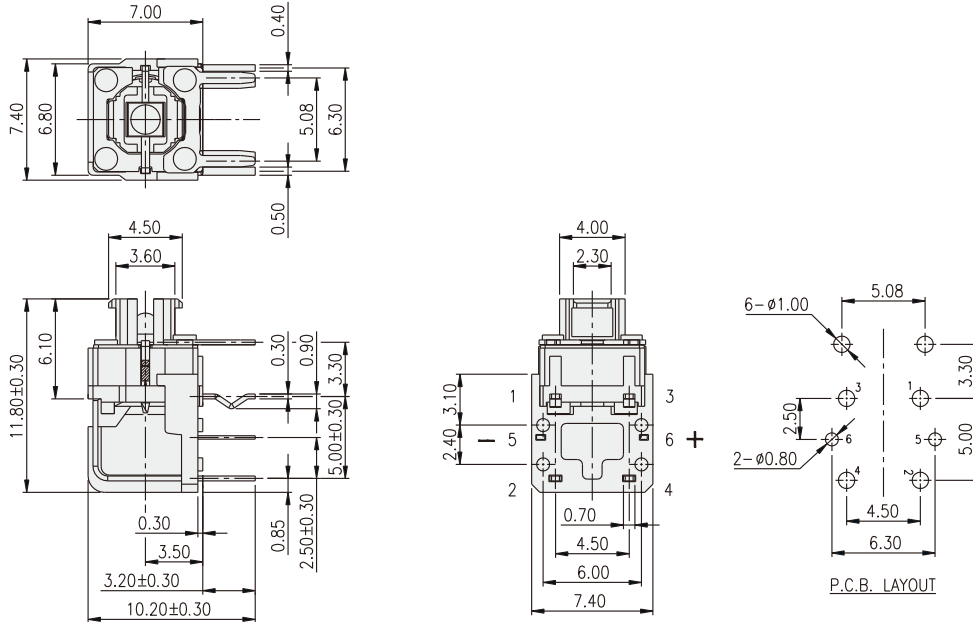


ILLUMINATED SWITCH

TLLA-72



TLLAG-7



LED Color Options:

Part No.	Color	Dominant Wavelength λ_D Typ.(nm)	Luminous Intensity I_v (mcd)		Forward Voltage V_f (V)		View Angle $2-\theta_{1/2}$ (Degree)	
			Typ.		Typ.	Max.	A	B
			A	B				
B	Blue	470	70	1100	3.0	3.6	140°	30°
PG	Pure Green	520	160	2500	3.2	3.6		
G	Yellow Green	570	30	550	2.0	2.3		
Y	Yellow	590	60	1500	2.0	2.3		
A	Soft Orange	605	50	1500	2.0	2.3		
R	Deep Red	640	25	800	2.0	2.3		
W	Cold White	X:0.30 / Y:0.30	350	550	3.0	3.6		