

# MICRO SWITCH MS4 SERIES



**NEW**



MS4

## FEATURES

- ※8.2x2.7x6.15mm
- ※PCB terminal
- ※Vertical & right angle

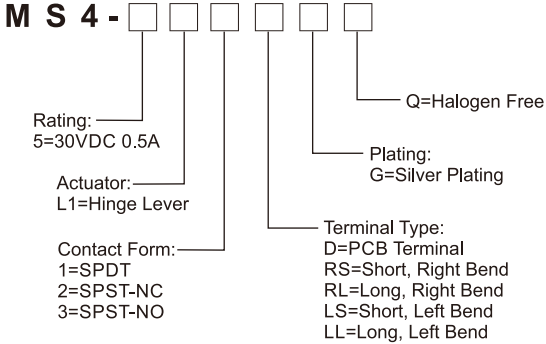
## APPLICATION

- ※Mapping device
- ※Small audio equipment
- ※OA equipment
- ※Portable electronic devices

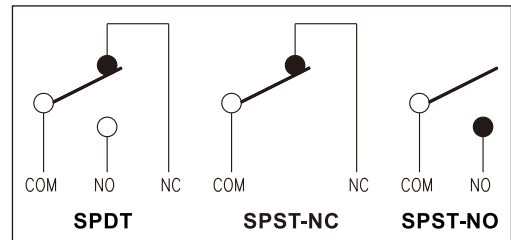
## SPECIFICATION

Contact Rating	0.5A, 30VDC
Mechanical Durability	100,000 cycles MIN.
Electrical Durability	50,000 cycles MIN.
Contact Resistance	100mΩ MAX.
Insulation Resistance	100MΩ MIN. (at 100VDC)
Dielectric Strength	Between terminals of the same polarity: 250VAC(50Hz or 60Hz) shall be applied across terminals for 1 minute
	Between each terminal and ground: 250VAC(50Hz or 60Hz) shall be applied across terminals for 1 minute
	Between each terminal and non-current-carrying metal parts 1500VAC(50Hz or 60Hz) shall be applied across terminals for 1 minute
Operating Temp.	-40°C ~ +85°C

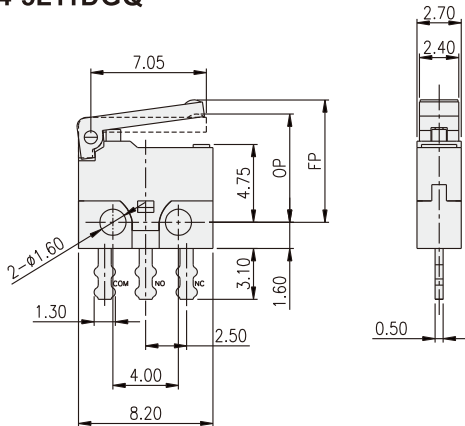
## HOW TO ORDER



## CIRCUIT



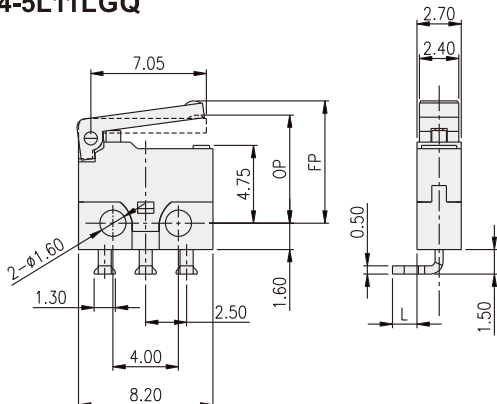
## MS4-5L11DGQ



## OPERATING CHARACTERISTICS

ITEM	SPEC.
OPERATING FORCE(OF)	50gf (0.5N) MAX.
RELEASE FORCE(RF)	3gf (0.03N) MIN.
PRETRAVEL(PT)	1.80mm MAX.
OVERTRAVEL(OT)	0.30mm MIN.
MOVEMENT DIFFERENTIAL(MD)	0.70mm MAX.
OPERATING POSITION(OP)	6.70±0.50mm
FREE POSITION(FP)	8.0mm MAX.

## MS4-5L11LGQ



## OPERATING CHARACTERISTICS

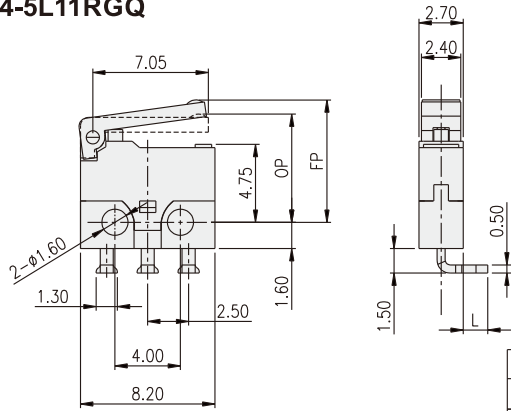
ITEM	SPEC.
OPERATING FORCE(OF)	50gf (0.5N) MAX.
RELEASE FORCE(RF)	3gf (0.03N) MIN.
PRETRAVEL(PT)	1.80mm MAX.
OVERTRAVEL(OT)	0.30mm MIN.
MOVEMENT DIFFERENTIAL(MD)	0.70mm MAX.
OPERATING POSITION(OP)	6.70±0.50mm
FREE POSITION(FP)	8.0mm MAX.

PART NO	L
MS4-5L11LSGQ	1.50
MS4-5L11LLGQ	3.10

MICRO SWITCH  
**MS4 SERIES**



**MS4-5L11RGQ**



PART NO	L
MS4-5L11RSGQ	1.50
MS4-5L11RLGQ	3.10

OPERATING CHARACTERISTICS

ITEM	SPEC.
OPERATING FORCE(OF)	50gf (0.5N) MAX.
RELEASE FORCE(RF)	3gf (0.03N) MIN.
PRETRAVEL(PT)	1.80mm MAX.
OVERTRAVEL(OT)	0.30mm MIN.
MOVEMENT DIFFERENTIAL(MD)	0.70mm MAX.
OPERATING POSITION(OP)	6.70±0.50mm
FREE POSITION(FP)	8.0mm MAX.