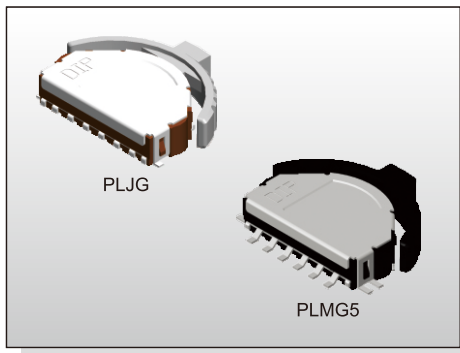


# MULTI FUNCTION SWITCH PL SERIES

## Push & Lever Type



### FEATURES

※Multi function (Push & Lever)

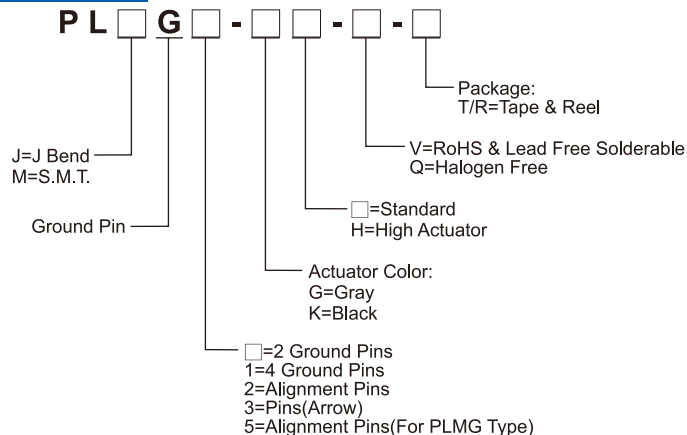
### APPLICATION

※Remote controls  
※Volume control for variety of applications

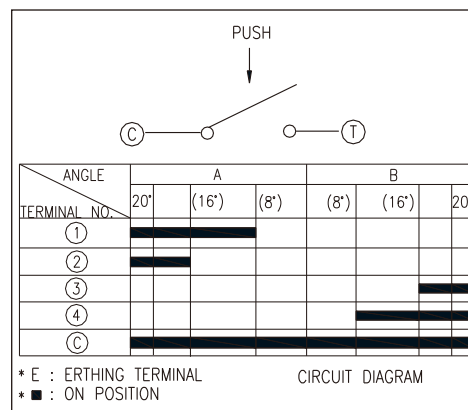
### SPECIFICATION

Contact Rating	10mA, 5V DC
Contact Resistance	100mΩ max.
Insulation Resistance	100MΩ min. 100V DC
Dielectric Strength	100V AC/1 minute
Operating Force	40±20gf, Return actuator 150+100/-50gf, Center push direction
Operating Life	100,000 cycles
Operating Temp.	-10°C ~ +70°C
Storage Temp.	-25°C ~ +85°C

### HOW TO ORDER



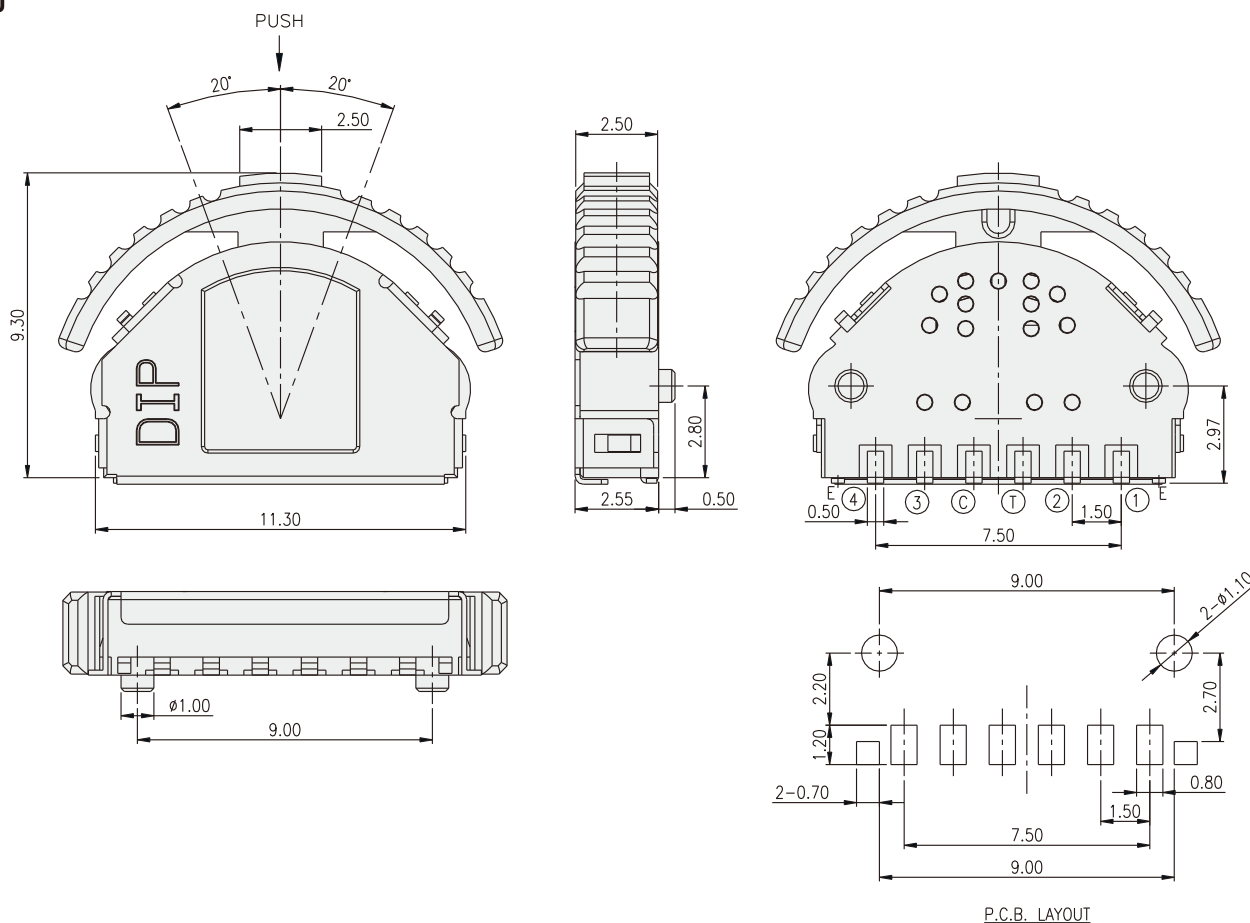
### CIRCUIT



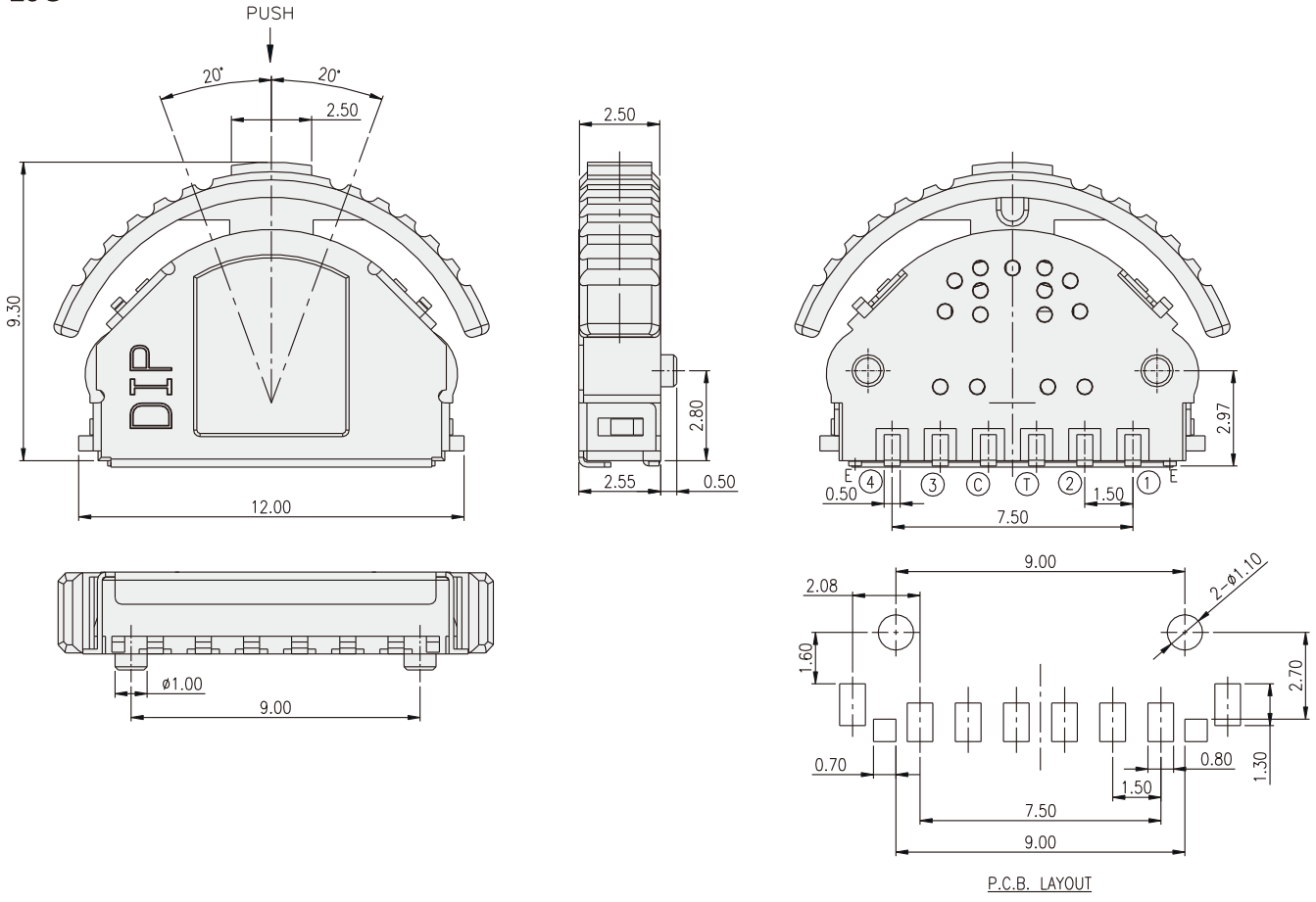
### PACKAGE

<Tape & Reel>  
 PLJ(G), PLJG1: 1000 pcs  
 PLJG(2)(3): 800 pcs  
 PLMG5: 750 pcs

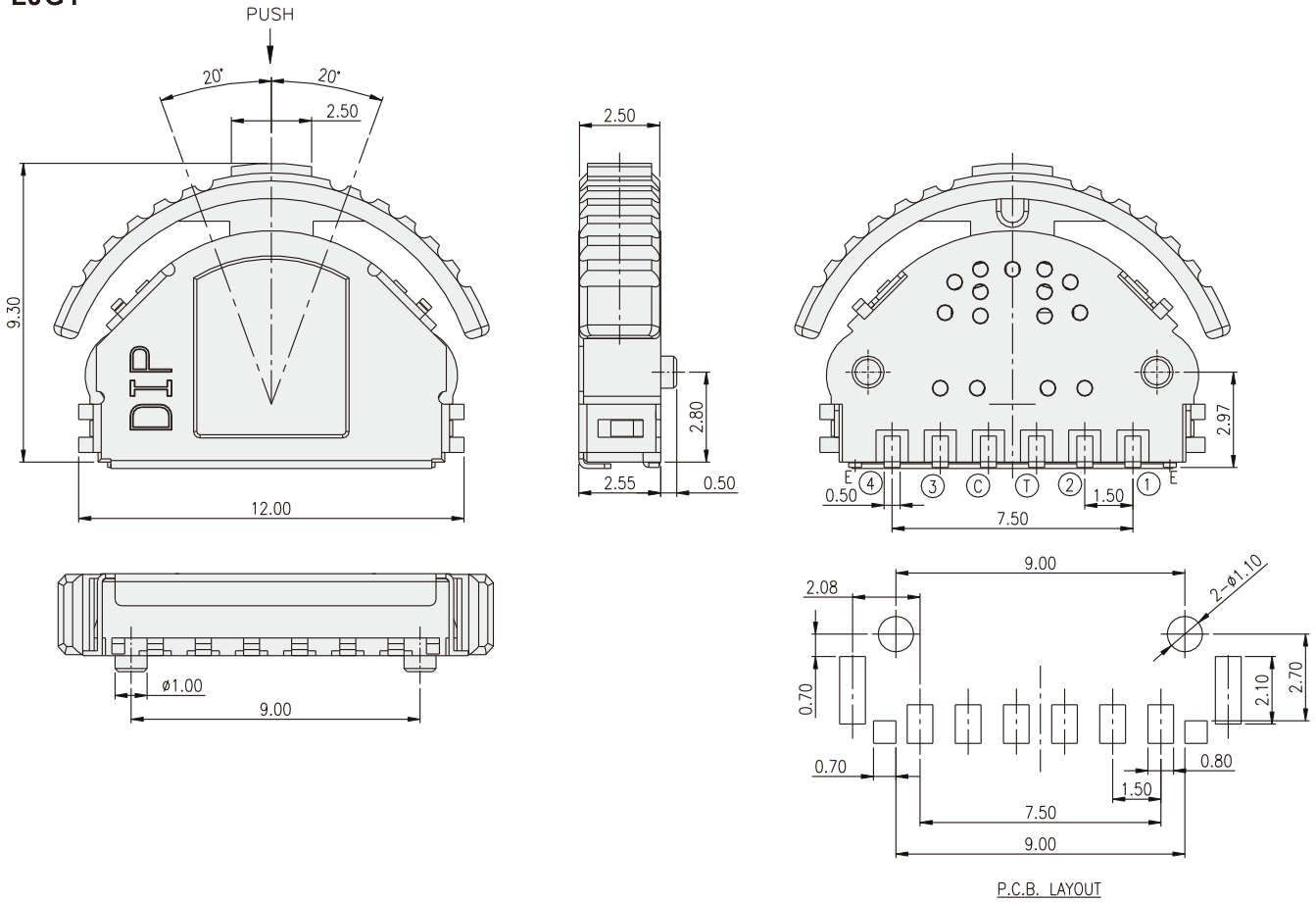
### PLJ



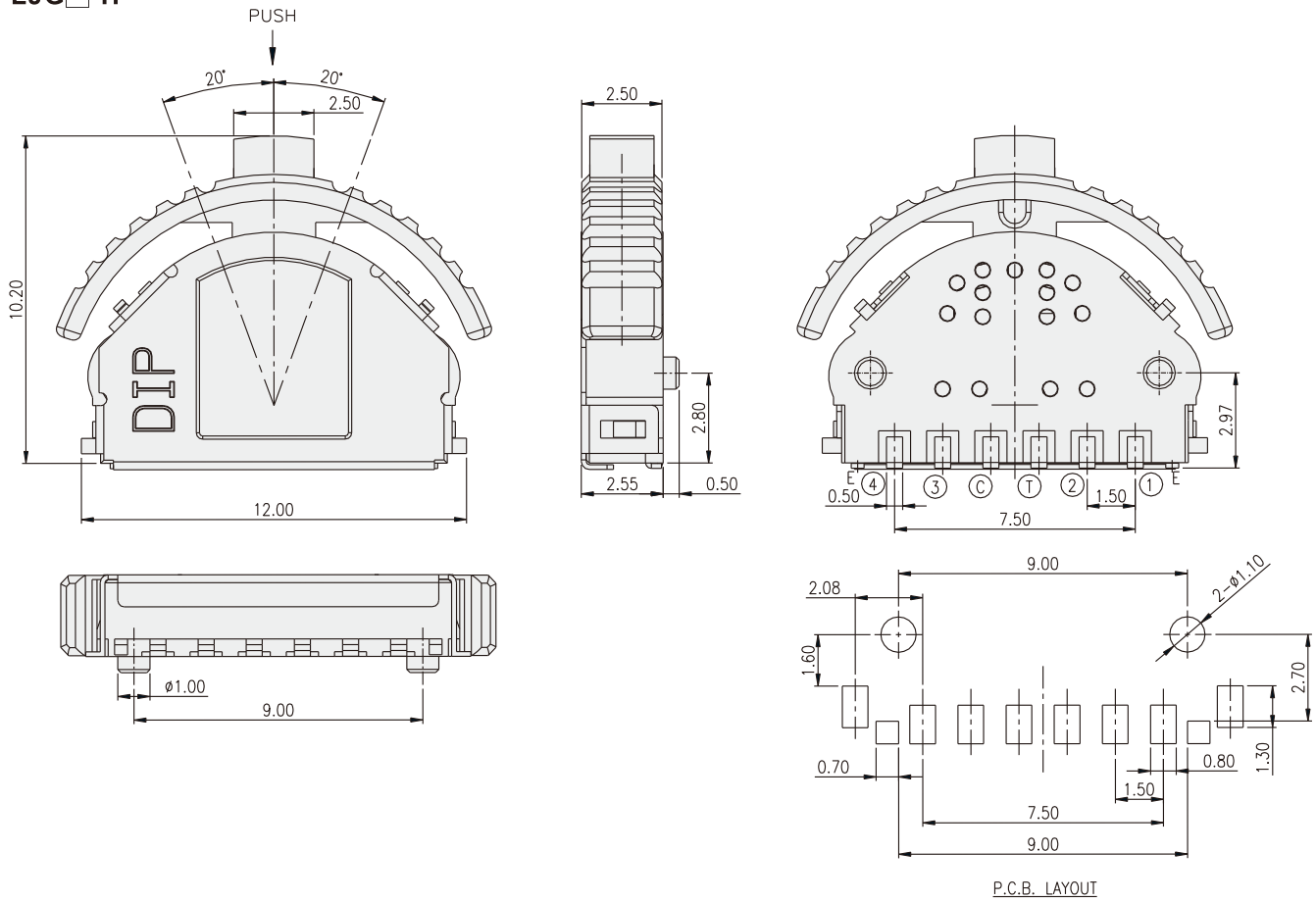
**PLJG**



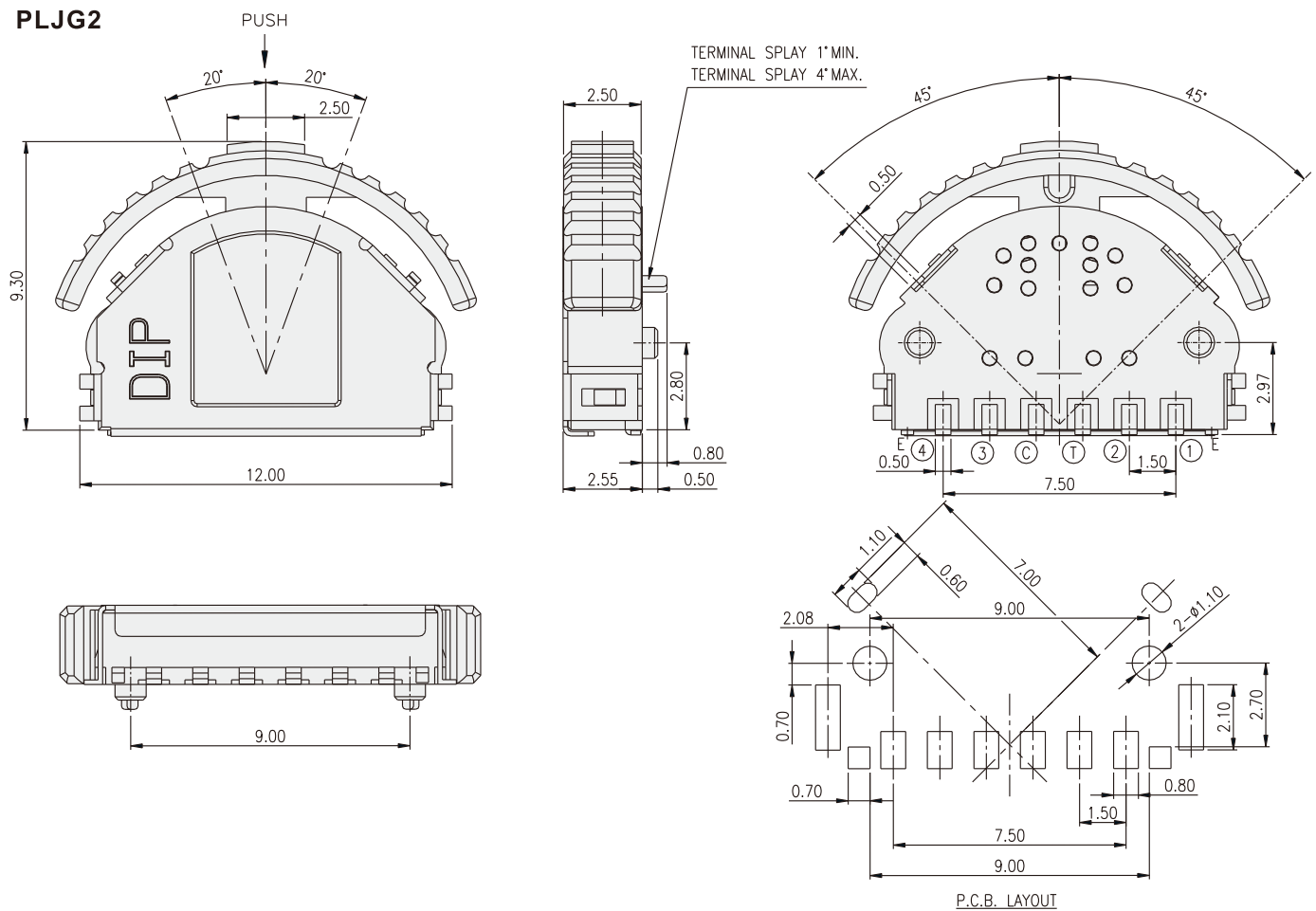
**PLJG1**



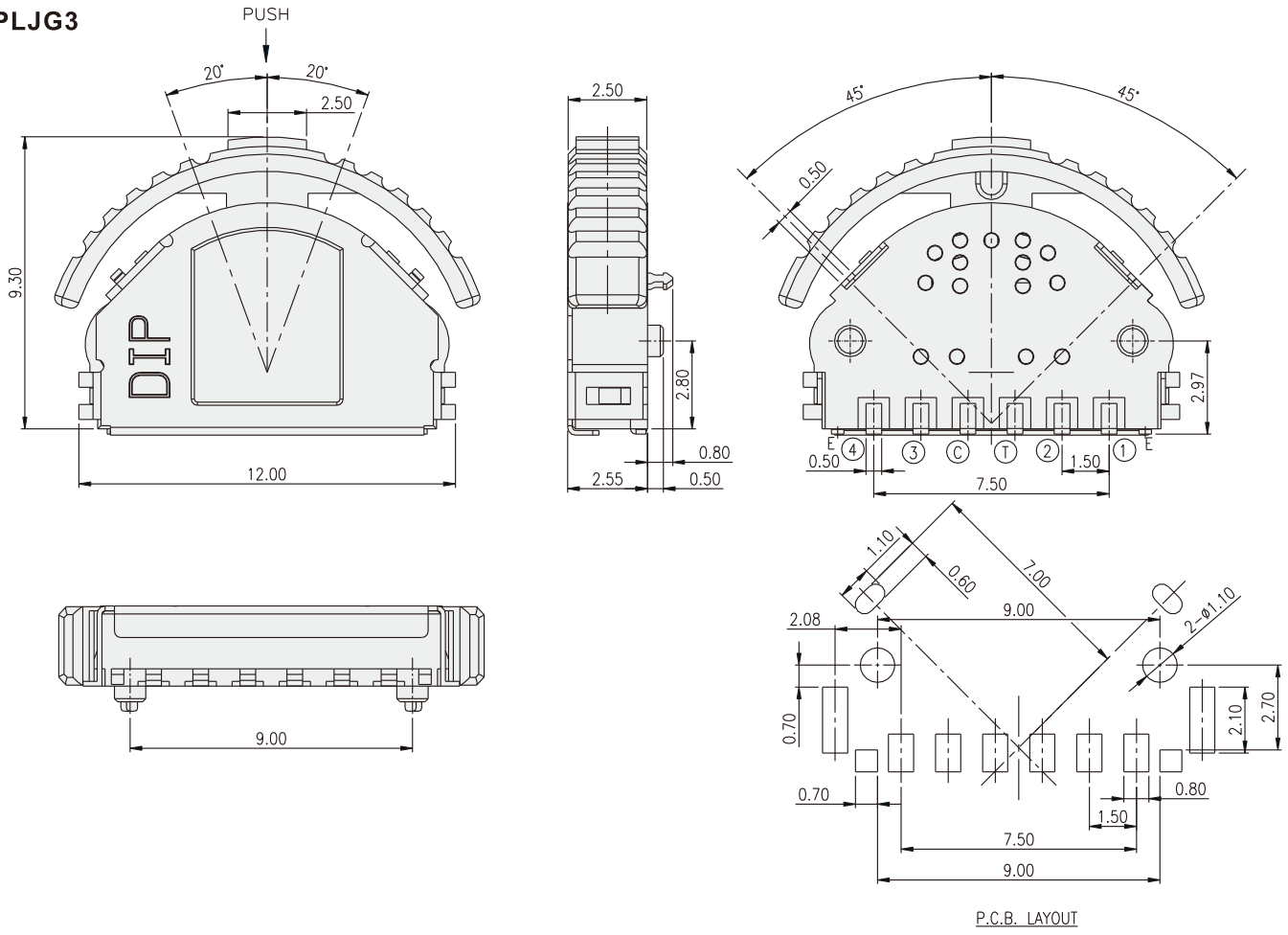
**PLJG□-H**



**PLJG2**



**PLJG3**



**PLMG5-H**

