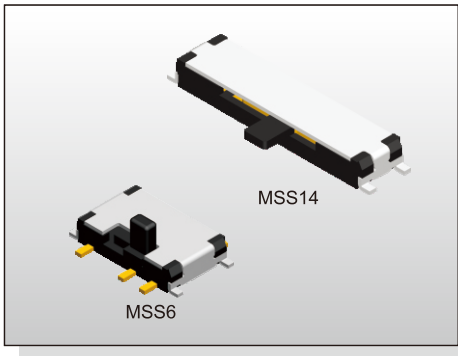


SLIDE SWITCH MSS(6)(14) SERIES

Miniature Travel & SMT Type (2P2T, 1P4T)



FEATURES

- ✧ 1.4mm height
- ✧ 2P2T, 1P4T models
- ✧ Stroke 1.5mm

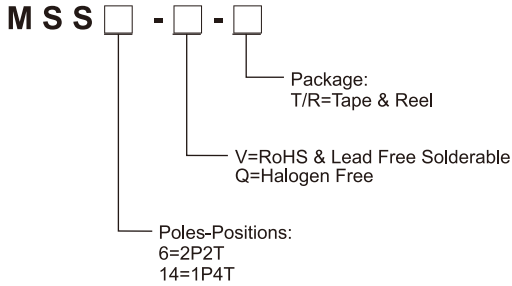
APPLICATION

- ✧ Remote control
- ✧ Consumer electronics
- ✧ Instrumentations

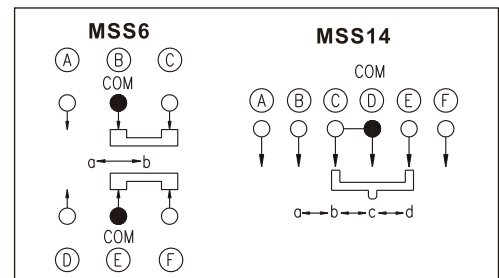
SPECIFICATION

Contact Rating	25mA , 24V DC	
Contact Resistance	70mΩ max	
Insulation Resistance	100MΩ min. 100V DC	
Dielectric Strength	100V AC/1 minute	
Operating Force	200±150gf (1.96N±1.47N)	MSS6
	A→B 150±100gf (1.47N±0.98N)	MSS14
	D→C 150±100gf (1.47N±0.98N)	
	B→C 200±150gf (1.96N±1.47N)	
	C→D 200±150gf (1.96N±1.47N)	
C→B 200±150gf (1.96N±1.47N)		
B→A 200±150gf (1.96N±1.47N)		
Travel	1.5mm	
Operating Life	10,000 cycles	
Operating Temp.	-20°C ~ +70°C	
Storage Temp.	-40°C ~ +85°C	

HOW TO ORDER



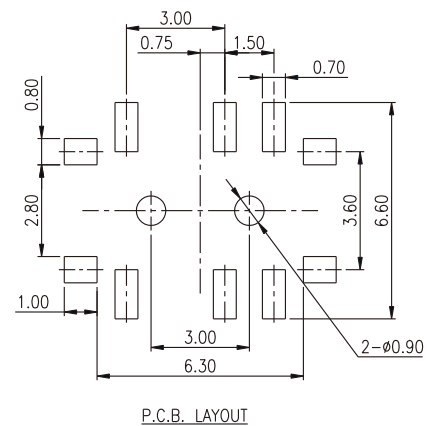
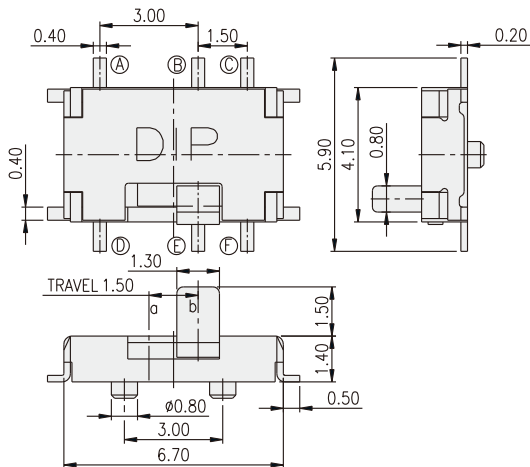
CIRCUIT



PACKAGE

<Tape & Reel>
MSS6: 1400 pcs
MSS14: 2500 pcs

MSS6



MSS14

