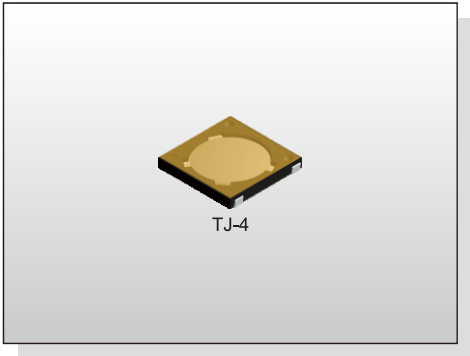


TACT SWITCH  
**TJ-4** SERIES

4.4x4.4 J Terminal SMT Type  
(H: 0.55mm)



**FEATURES**

- ※ Compact-sized 4.4x4.4mm
- ※ Low profile of 0.55mm height
- ※ Long operating life

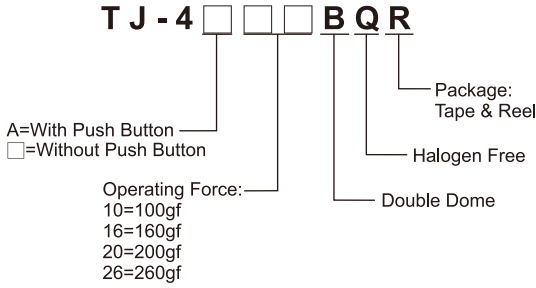
**APPLICATION**

- ※ Smart phone
- ※ Digital camera, Medical
- ※ Portable electronic device

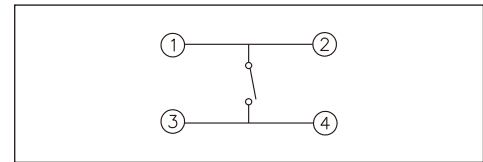
**SPECIFICATION**

Contact Rating	50mA, 12V DC
Contact Resistance	100mΩ max.
Insulation Resistance	100MΩ min. 500V DC
Dielectric Strength	300V AC/1 minute
Operating Force	100±50gf/160±50gf/200±50gf 260±50gf
Travel	0.2mm
Operating Life	500,000 cycles for 260/200gf 1,000,000 cycles for 160/100gf
Operating Temp.	-20°C ~ +70°C
Storage Temp.	-30°C ~ +80°C

**HOW TO ORDER**



**CIRCUIT**

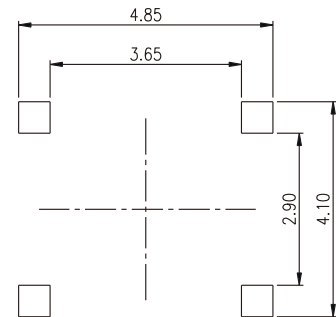
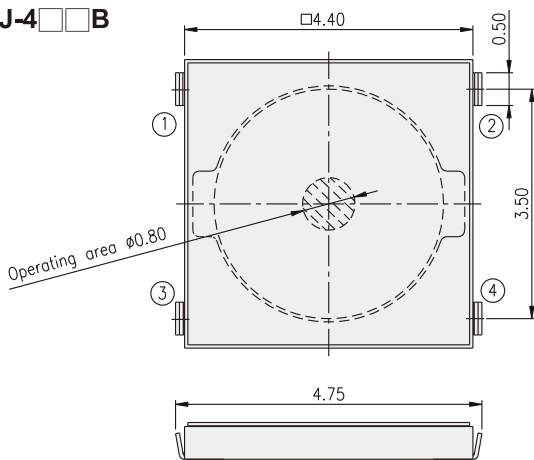


**PACKAGE**

<Tape & Reel>  
TJ-4: 8000 pcs  
TJ-4A: 5000 pcs

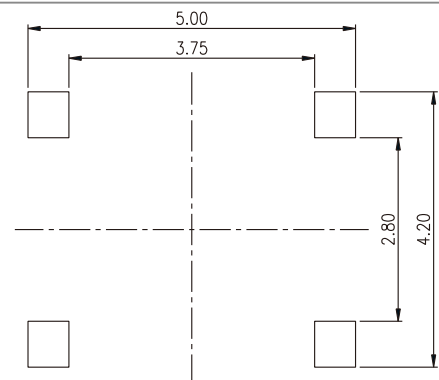
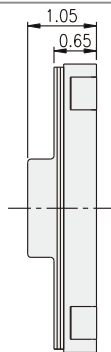
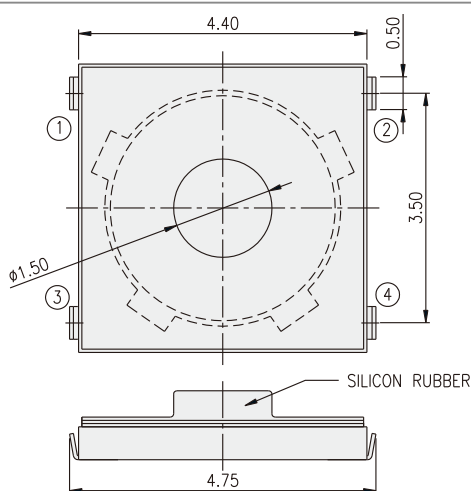
TACT SWITCH

**TJ-4**    **B**



P.C.B. LAYOUT

**TJ-4A**



P.C.B. LAYOUT