

T7B

FEATURES

- ※ Long life cycles of 5 million
- ※ Low profile with 0.60mm

APPLICATION

- ※ Automotive
- ※ Industrial equipment
- ※ Portable electronic device

SPECIFICATION

Contact Rating	50mA, 12V DC
Contact Resistance	500mΩ max.
Insulation Resistance	10MΩ min. 100V DC
Dielectric Strength	100V AC/1 minute
Operating Force	100±50gf, 160±50gf, 200±50gf
Travel	0.25mm
Operating Life	5,000,000 cycles
Operating Temp.	-40°C ~ +85°C
Storage Temp.	-40°C ~ +90°C

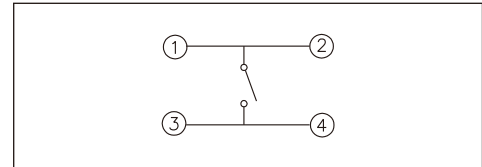
HOW TO ORDER

T 7 B □ Q R

Operating Force:
1=100gf
2=160gf
3=200gf

Package:
Reel
Halogen Free

CIRCUIT

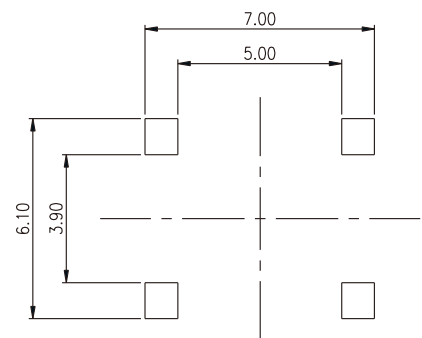
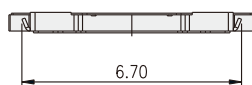
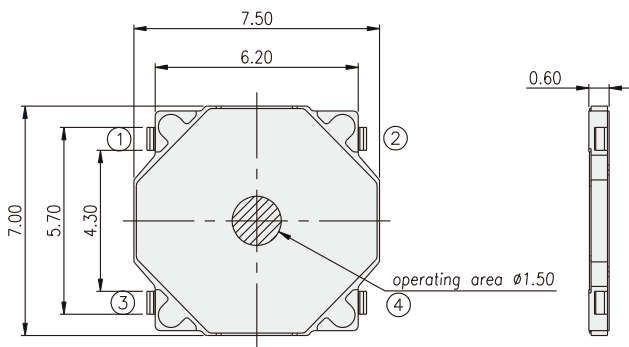


PACKAGE

<Tape & Reel>
5200 pcs.

TACT SWITCH

T7B



P.C.B. LAYOUT