

**FEATURES**

- ※High reliable metal contacts
- ※Vertical operation available
- ※Cap options

**APPLICATION**

- ※Audio, OA equipment
- ※Instrumentation
- ※Industrial

**SPECIFICATION**

Contact Rating	50mA, 12V DC
Contact Resistance	100mΩ max.
Insulation Resistance	100MΩ min. 500V DC
Dielectric Strength	250V AC/1 minute
Operating Force	160±50gf, Brown(N) 260±50gf, Red(R) 320±80gf, Salmon(S) 520±130gf, Yellow(Y)
Travel	0.35mm
Operating Life	Phosphor Bronze Dome 100,000 cycles for 520/320/260gf 200,000 cycles for 160gf
	Stainless Steel Dome 300,000 cycles for 520/320gf 500,000 cycles for 260gf 1,000,000 cycles for 160gf
Operating Temp.	-25°C ~ +70°C
Storage Temp.	-30°C ~ +80°C

**HOW TO ORDER**

DTSA - 2 □ □ - □ - V

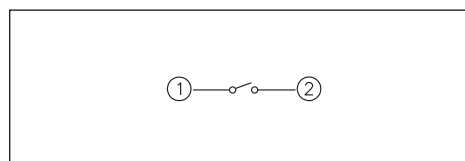
RoHS & Lead Free Solderable

□ = Phosphor Bronze Dome  
S = Stainless Steel Dome

Operating Force:  
N=Brown, 160gf  
R=Red, 260gf  
S=Salmon, 320gf  
Y=Yellow, 520gf

Dimension H:  
1=3.65mm  
4=6.45(SQ.)x3.8mm  
5=7.85mm

**CIRCUIT**

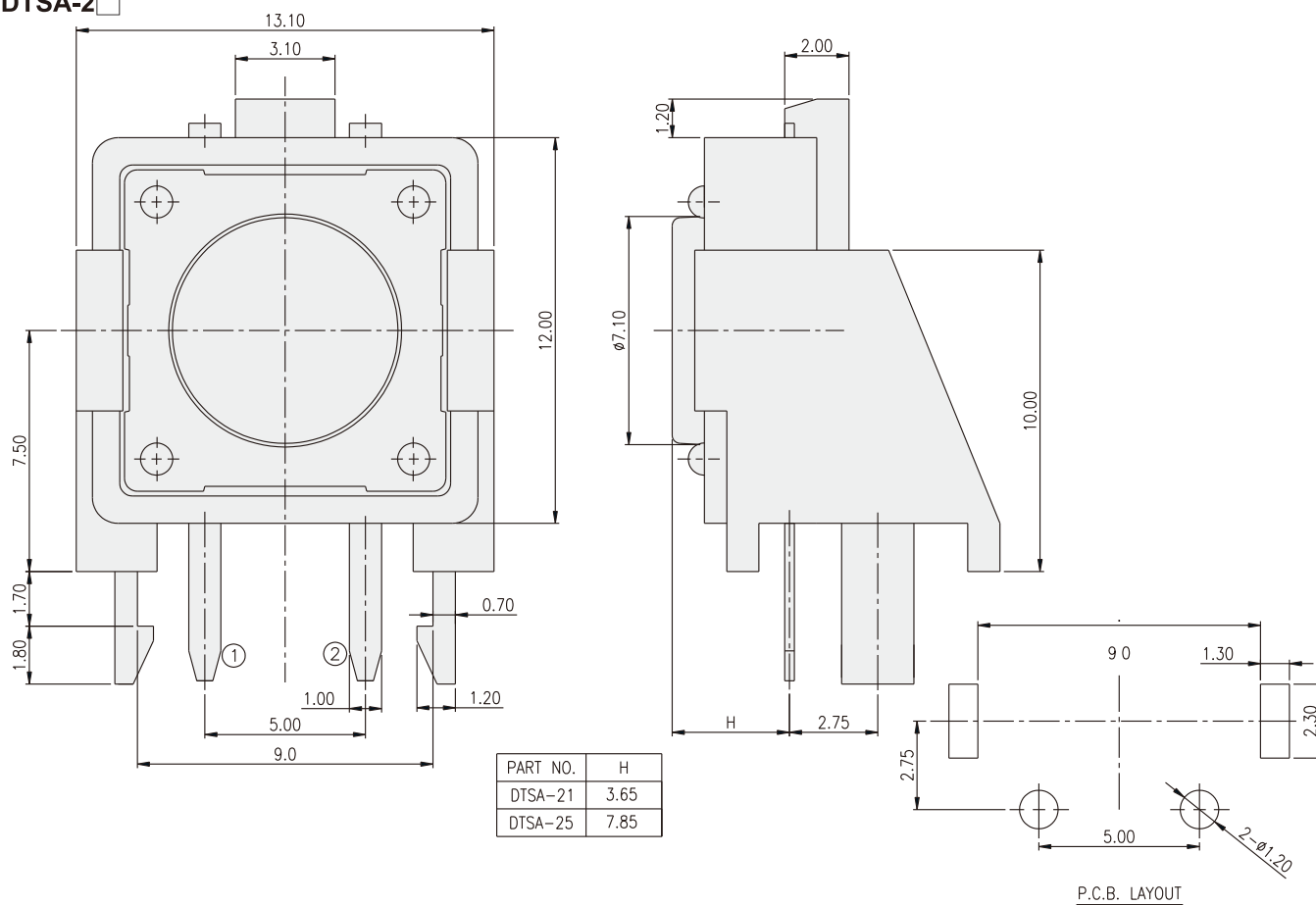


**PACKAGE**

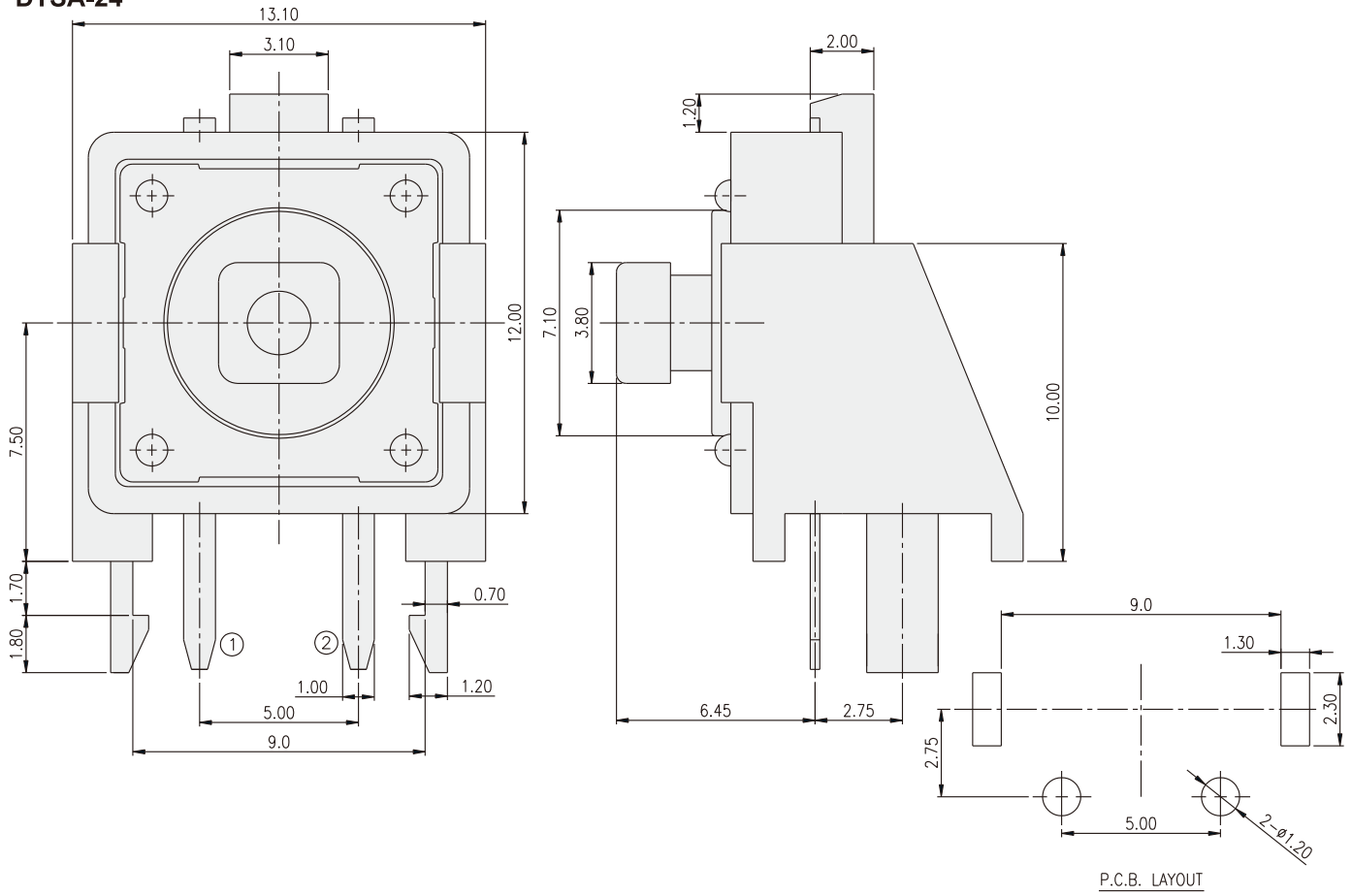
<Bag>  
250 pcs

TACT SWITCH

**DTSA-2** □



DTSA-24



TACT SWITCH