

### HOW TO ORDER

**KRB -**

Cap Color:  
 K=Black  
 N=Brown  
 B=Blue  
 Ge=Grey  
 R=Red  
 Y=Yellow

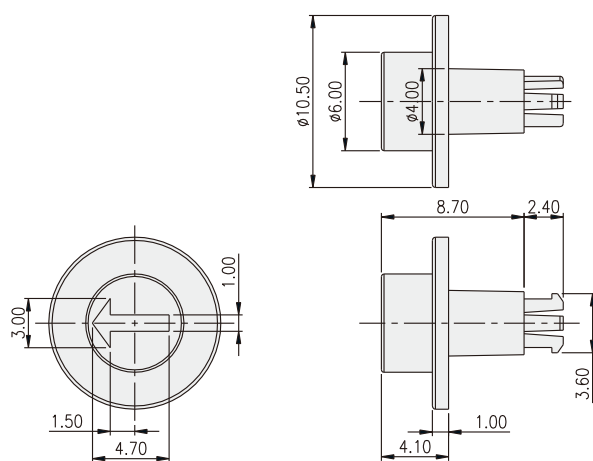
Knob Type:  
 1= Short Spindle  
 2= Long Spindle  
 3=Segment Wheel

### PACKAGE

<Bag>  
 KRB-1, KRB-2: 500 pcs.  
 KRB-3: 1000 pcs.

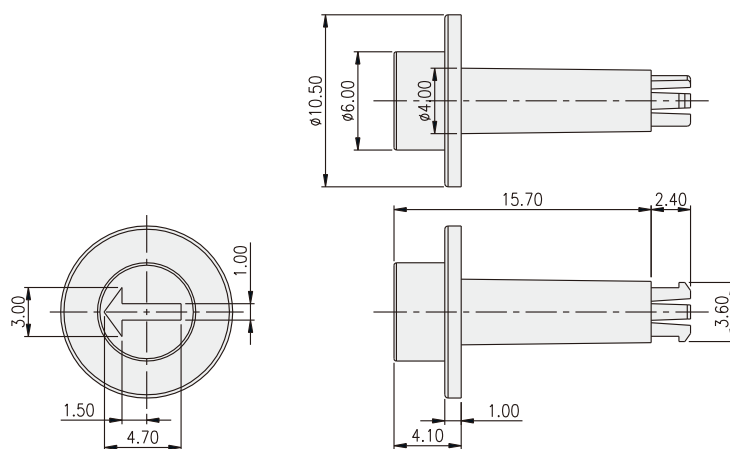
ROTARY CODED SWITCH

### KRB-1



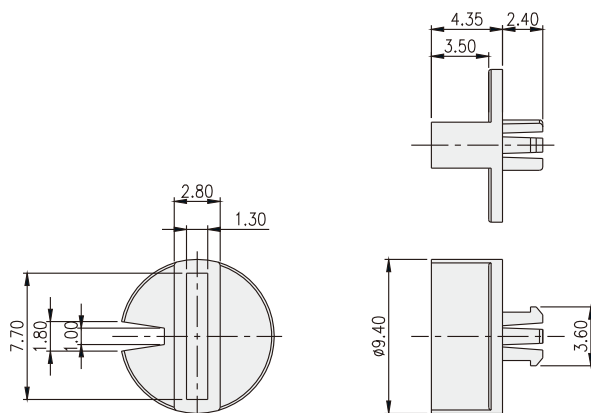
PART NO.	COLOR
KRB-1K	BLACK
KRB-1N	BROWN
KRB-1R	RED
KRB-1B	BLUE
KRB-1Y	YELLOW
KRB-1Ge	GREY

### KRB-2



PART NO.	COLOR
KRB-2K	BLACK
KRB-2N	BROWN
KRB-2R	RED
KRB-2B	BLUE
KRB-2Y	YELLOW
KRB-2Ge	GREY

### KRB-3



PART NO.	COLOR
KRB-3K	BLACK
KRB-3N	BROWN
KRB-3R	RED
KRB-3B	BLUE
KRB-3Y	YELLOW
KRB-3Ge	GREY