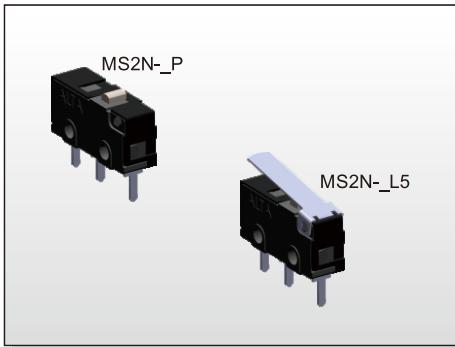


MICRO SWITCH MS2N SERIES



FEATURES

- ※Subminiature switch conforming to UL.
- ※PCB terminal.
- ※Highly reliable with long operating life.

APPLICATION

- ※Kitchen appliances
- ※Vacuum cleaner, Printers
- ※Smart locks
- ※White goods

SPECIFICATION

Contact Rating	0.1A at 125VAC/0.3A at 30VDC 5A at 250VAC	MS2N-01 MS2N-5
Mechanical Durability	1,000,000 cycles MIN.	
Electrical Durability	10,000 cycles MIN.	MS2N-01 MS2N-5
Contact Resistance	100mΩ MAX. 50mΩ MAX.	MS2N-01 MS2N-5
Insulation Resistance	100MΩ MIN.	
Dielectric Strength	Between terminals of same polarity "AC 1000V 1 minute"	
	Between current-carrying metal parts and ground "AC 2500V 1 minute"	
	Between each terminal and non-current-carrying metal part "AC 2500V 1 minute"	
Operating Temp.	-40°C ~ +105°C	

HOW TO ORDER

M S 2 N -

Rating:
01=125VAC 0.1A
30VDC 0.3A
5=250VAC 5A

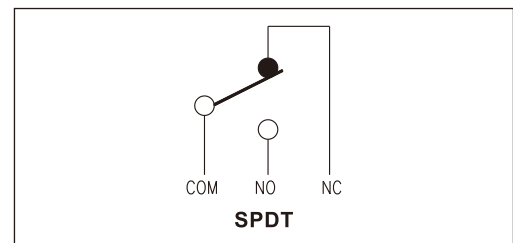
Actuator:
P=Pin Plunger
L5=Bent Lever

Contact Form:
1=SPDT

S=Coil Spring
V=RoHS & Lead Free
Plating:
A=Gold Plating(Only for MS2N-01)
G=Silver Plating(Only for MS2N-5)

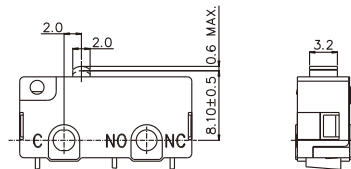
Terminal:
H=PCB Terminal

CIRCUIT



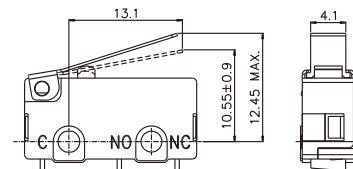
Actuator:
Pin Plunger

MS2N - **P**



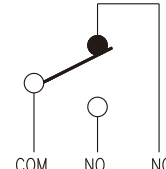
Bent Lever

MS2N - **L5**



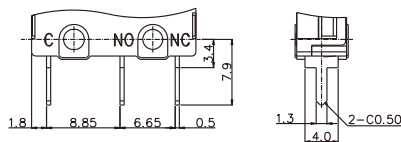
Contact Form:
SPDT

MS2 - **1**



Terminals:
PCB (Straight)

MS2N - **H**



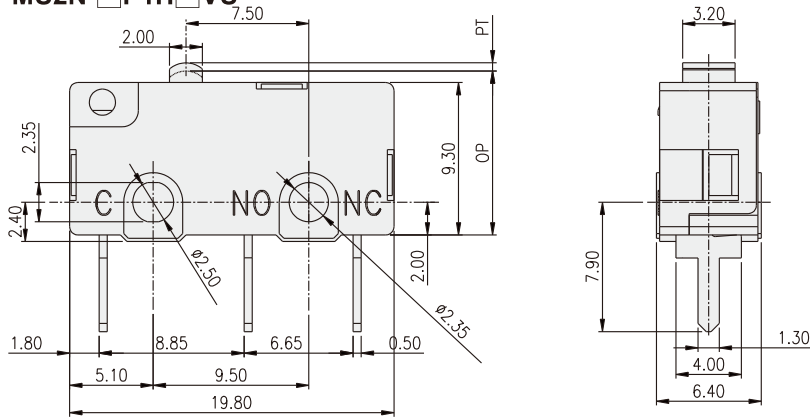
TYPE

Ratings	Plating	Actuator	PCB Terminal
0.1A	Gold Contact	Pin Plunger	MS2N-01P1HAVS
		Bent Lever	MS2N-01L51HAVS
5A	Silver Contact	Pin Plunger	MS2N-5P1HGVS
		Bent Lever	MS2N-5L51HGVS

MICRO SWITCH
MS2N SERIES



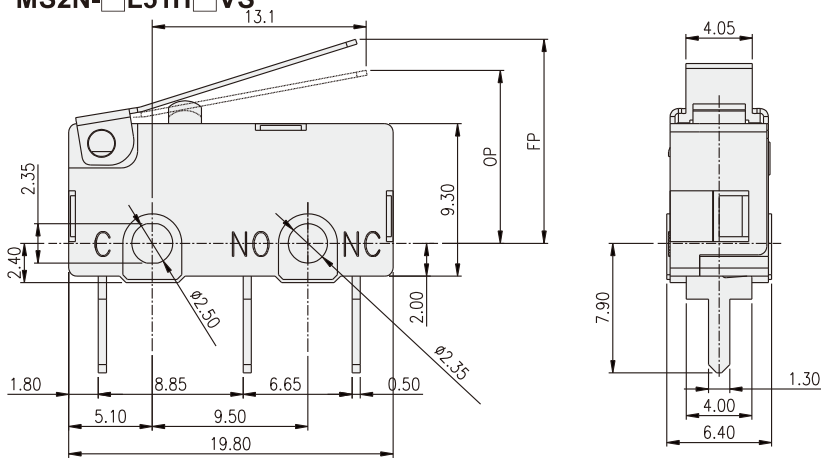
MS2N-□P1H□VS



OPERATING CHARACTERISTICS

ITEM	SPEC.
OPERATING FORCE(OF)	204gf (2.0N) MAX.
RELEASE FORCE(RF)	25gf (0.25N) MIN.
PRETRAVEL(PT)	0.60mm MAX.
OVERTRAVEL(OT)	0.50mm MIN.
MOVEMENT DIFFERENTIAL(MD)	0.20mm MAX.
OPERATING POSITION(OP)	8.10±0.50mm

MS2N-□L51H□VS



OPERATING CHARACTERISTICS

ITEM	SPEC.
OPERATING FORCE(OF)	71gf (0.7N) MAX.
RELEASE FORCE(RF)	9.5gf (0.094N) MIN.
OVERTRAVEL(OT)	0.50mm MIN.
MOVEMENT DIFFERENTIAL(MD)	0.50mm MAX.
OPERATING POSITION(OP)	10.55±0.90mm
FREE POSITION(FP)	12.45mm MAX.