

FEATURES

- ※Radial taping type
- ※Variety of actuator lengths
- ※Allow automatic insertion onto PCB.

APPLICATION

- ※White goods , OA equipment
- ※Audio, DVD player, TV
- ※Instrumentation

SPECIFICATION

| | |
|-----------------------|---|
| Contact Rating | 50mA, 12V DC |
| Contact Resistance | 100mΩ max. |
| Insulation Resistance | 100MΩ min. 500V DC |
| Dielectric Strength | 250V AC/1 minute |
| Operating Force | 100±50gf, Black(K) 160±50gf, Brown(N) 260±50gf, Red(R) 320±80gf, Salmon(S) 520±130gf, Yellow(Y) |
| Travel | 0.25mm |
| Operating Life | Phosphor Bronze Dome 50,000 cycles for 520/320gf 100,000 cycles for 260gf 200,000 cycles for 160/100gf Stainless Steel Dome 300,000 cycles for 520/320gf 500,000 cycles for 260gf 1,000,000 cycles for 160/100gf |
| Operating Temp. | -25°C ~ +70°C |
| Storage Temp. | -30°C ~ +80°C |

HOW TO ORDER

DTST-6 □ □ - □ - □

Radial Taping Type

Height:

- 1=4.30mm
- 2=5.00mm
- 3=7.00mm
- 44=7.30mm (SQ.)x2.40mm
- 48=7.30mm (SQ.)x2.80mm
- 5=9.50mm
- 6=13.00mm

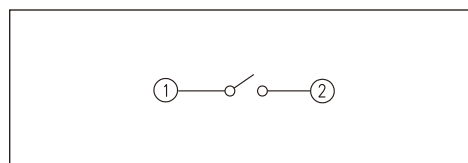
V=RoHS & Lead Free Solderable
Q=Halogen Free

□=Phosphor Bronze Dome
S=Stainless Steel Dome

Operating Force:

- K=Black, 100gf
- N=Brown, 160gf
- R=Red, 260gf
- S=Salmon, 320gf
- Y=Yellow, 520gf

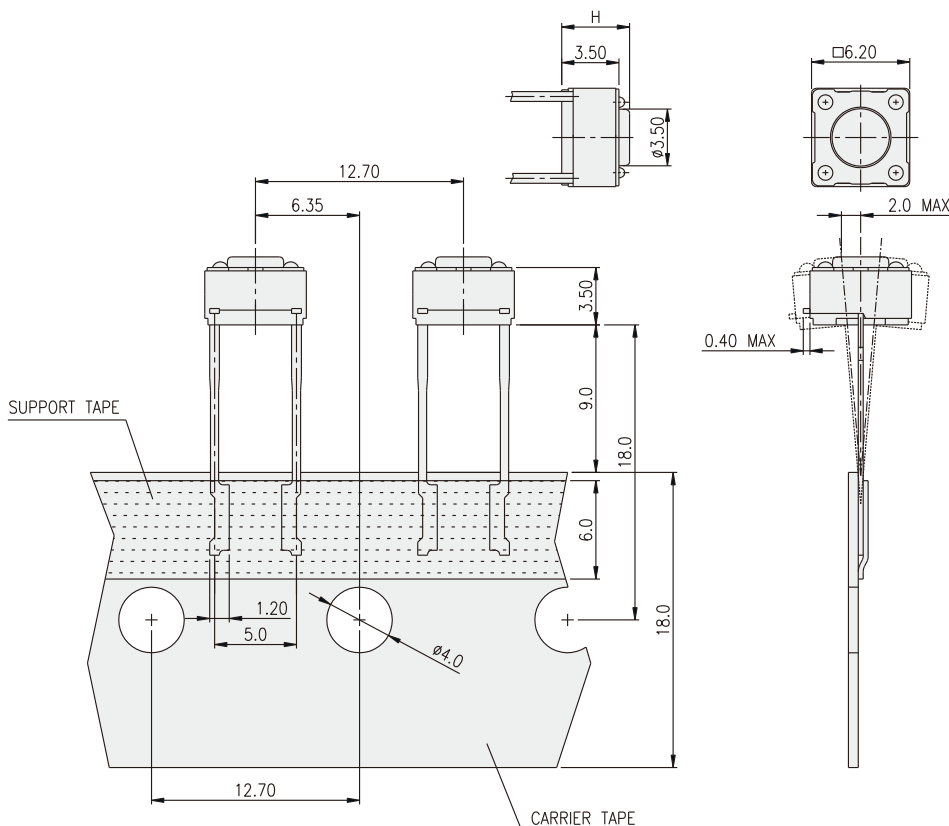
CIRCUIT



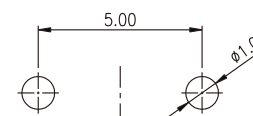
PACKAGE

<Box>
900 pcs

DTST-6



| PART NO. | H |
|----------|---------------|
| DTST-61 | 4.30 |
| DTST-62 | 5.00 |
| DTST-63 | 7.00 |
| DTST-644 | 7.30(SQ.2.40) |
| DTST-648 | 7.30(SQ.2.80) |
| DTST-65 | 9.50 |
| DTST-66 | 13.00 |



P.C.B. LAYOUT