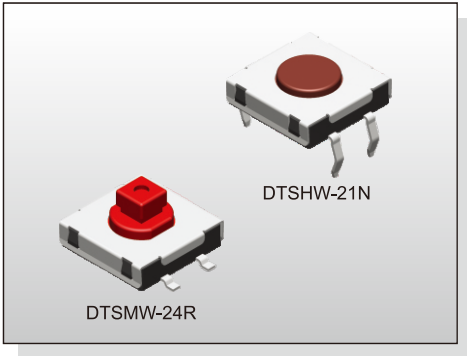


TACT SWITCH  
**DTS( )W-2** SERIES

12x12 SMT & Through Hole  
 Washable Type



**FEATURES**

- ※ Sealed
- ※ Through hole & SMT type
- ※ 1 million operating life cycle

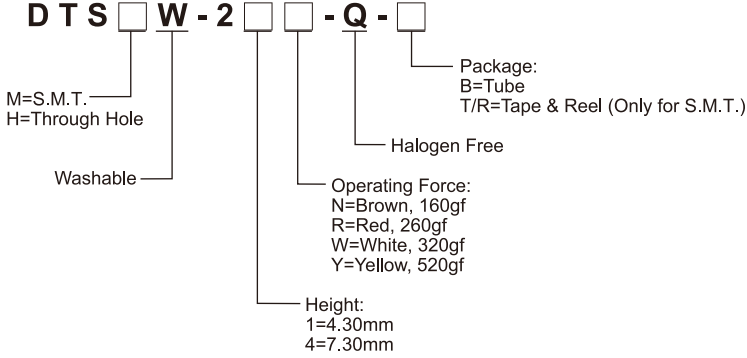
**APPLICATION**

- ※ Audio, OA equipment
- ※ Instrumentation
- ※ Industrial

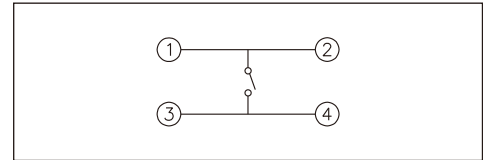
**SPECIFICATION**

Contact Rating	50mA, 24V DC
Contact Resistance	100mΩ max.
Insulation Resistance	100MΩ min. 250V DC
Dielectric Strength	250V AC/1 minute
Operating Force	160±50gf, Brown(N) 260±50gf, Red(R) 320±80gf, Salmon(S) 520±130gf, Yellow(Y)
Travel	0.4mm
Operating Life	300,000 cycles for 520/320gf 1,000,000 cycles for 260/160gf
Operating Temp.	-40°C ~ +85°C
Storage Temp.	-40°C ~ +85°C

**HOW TO ORDER**



**CIRCUIT**

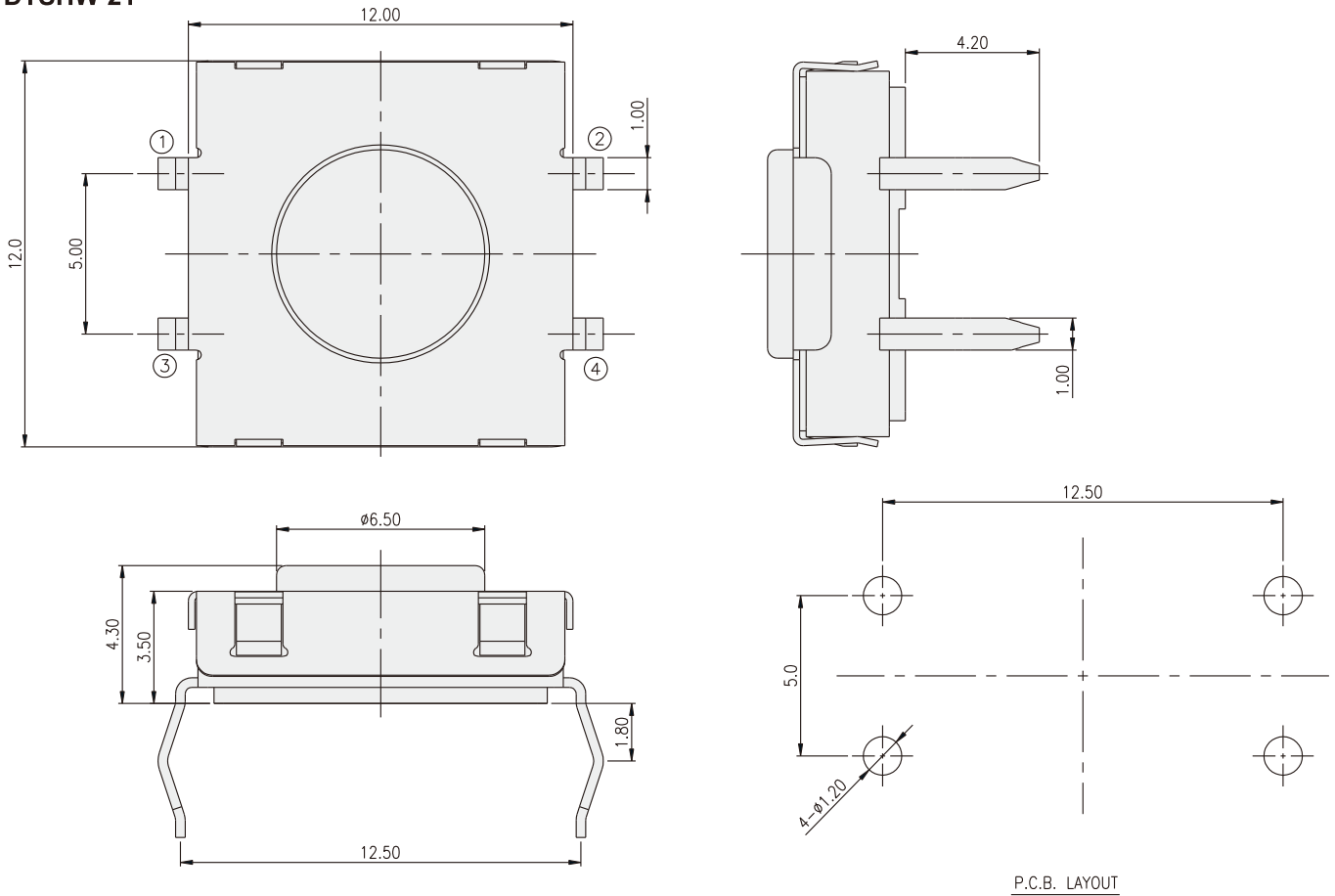


**PACKAGE**

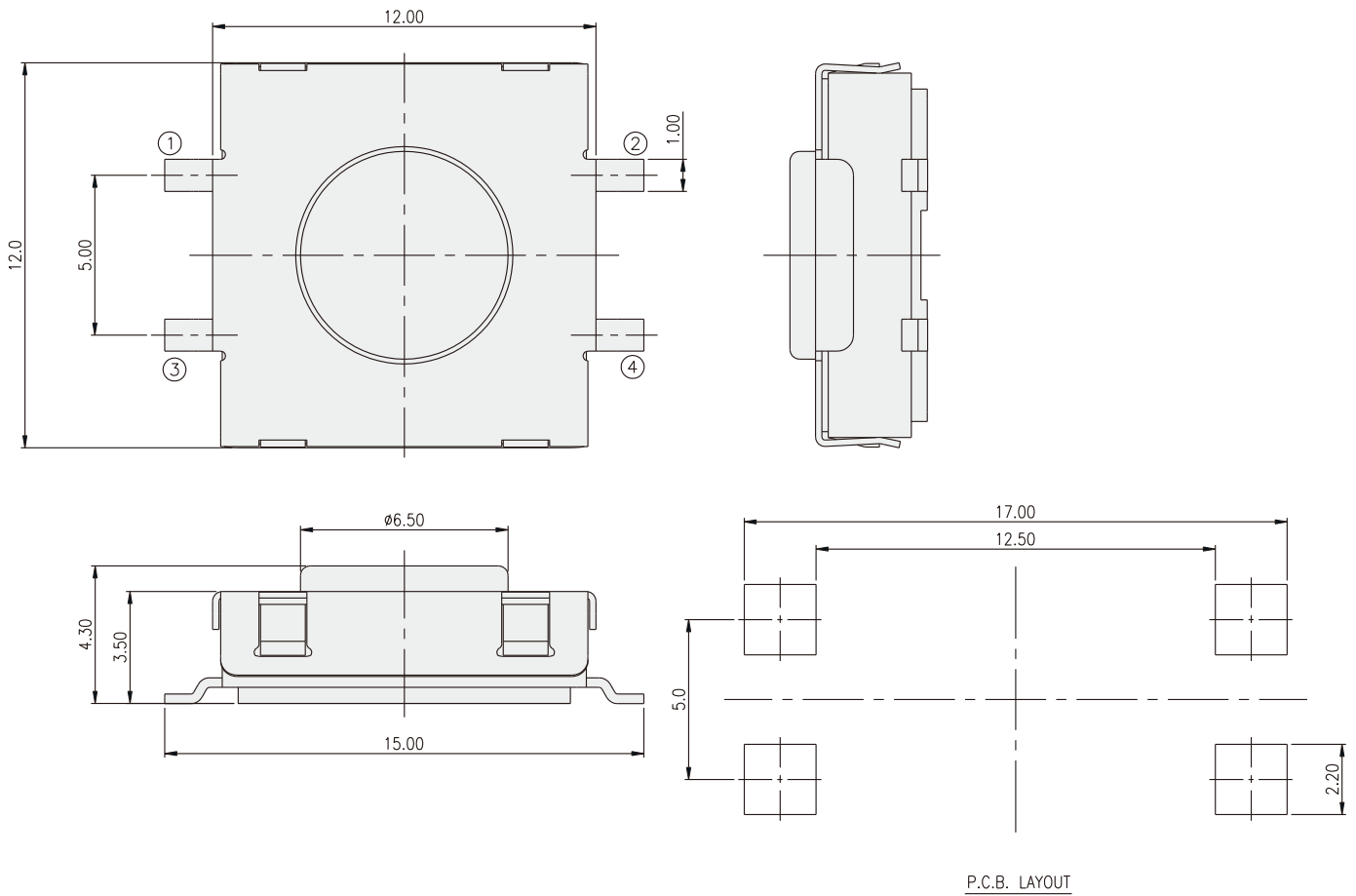
<Tube>  
39 pcs  
 <Tape & Reel>  
 DTSMW-21: 700 pcs  
 DTSMW-24: 500 pcs

TACT SWITCH

**DTSHW-21**

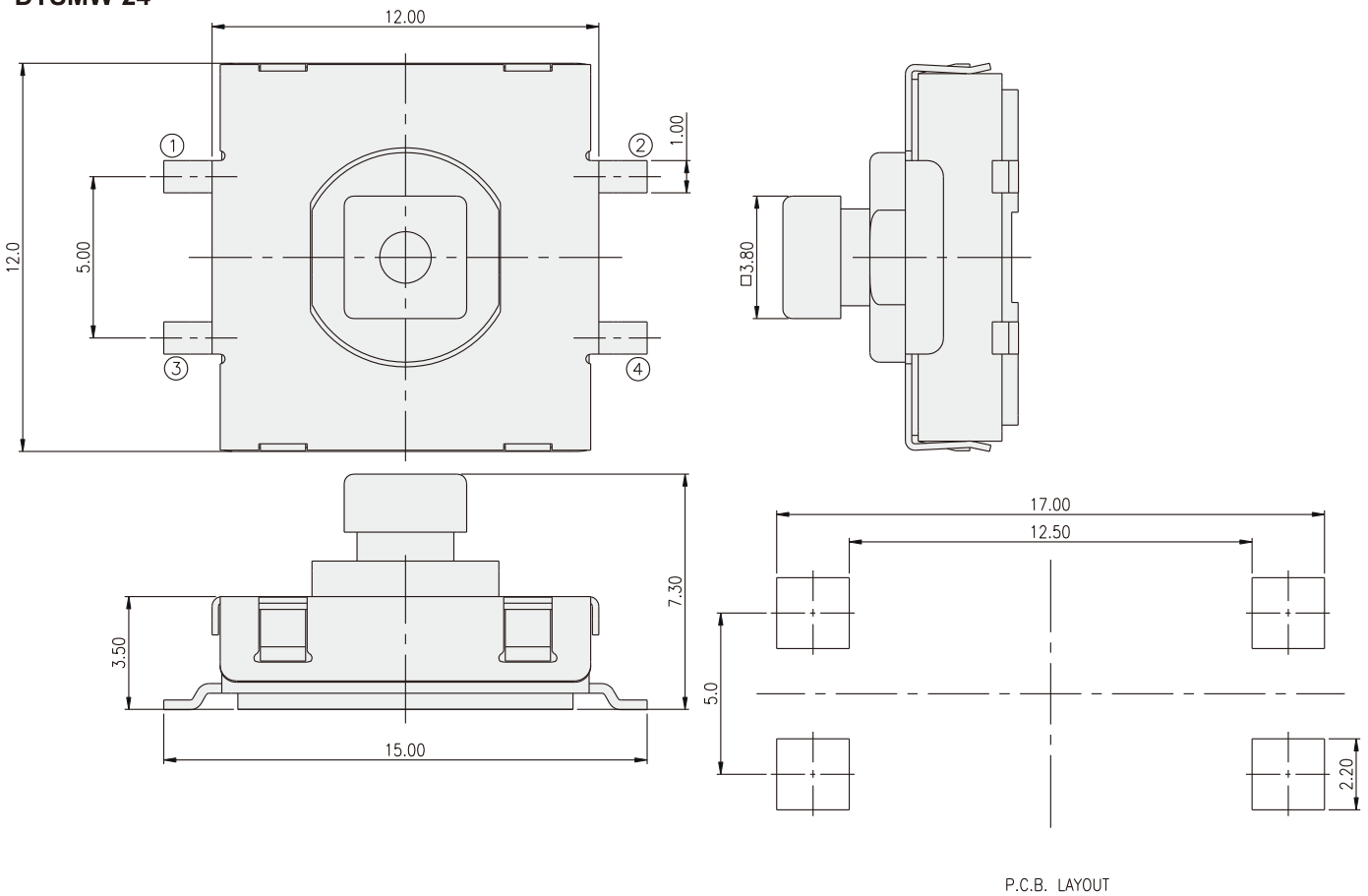


**DTSMW-21**



P.C.B. LAYOUT

**DTSMW-24**



P.C.B. LAYOUT

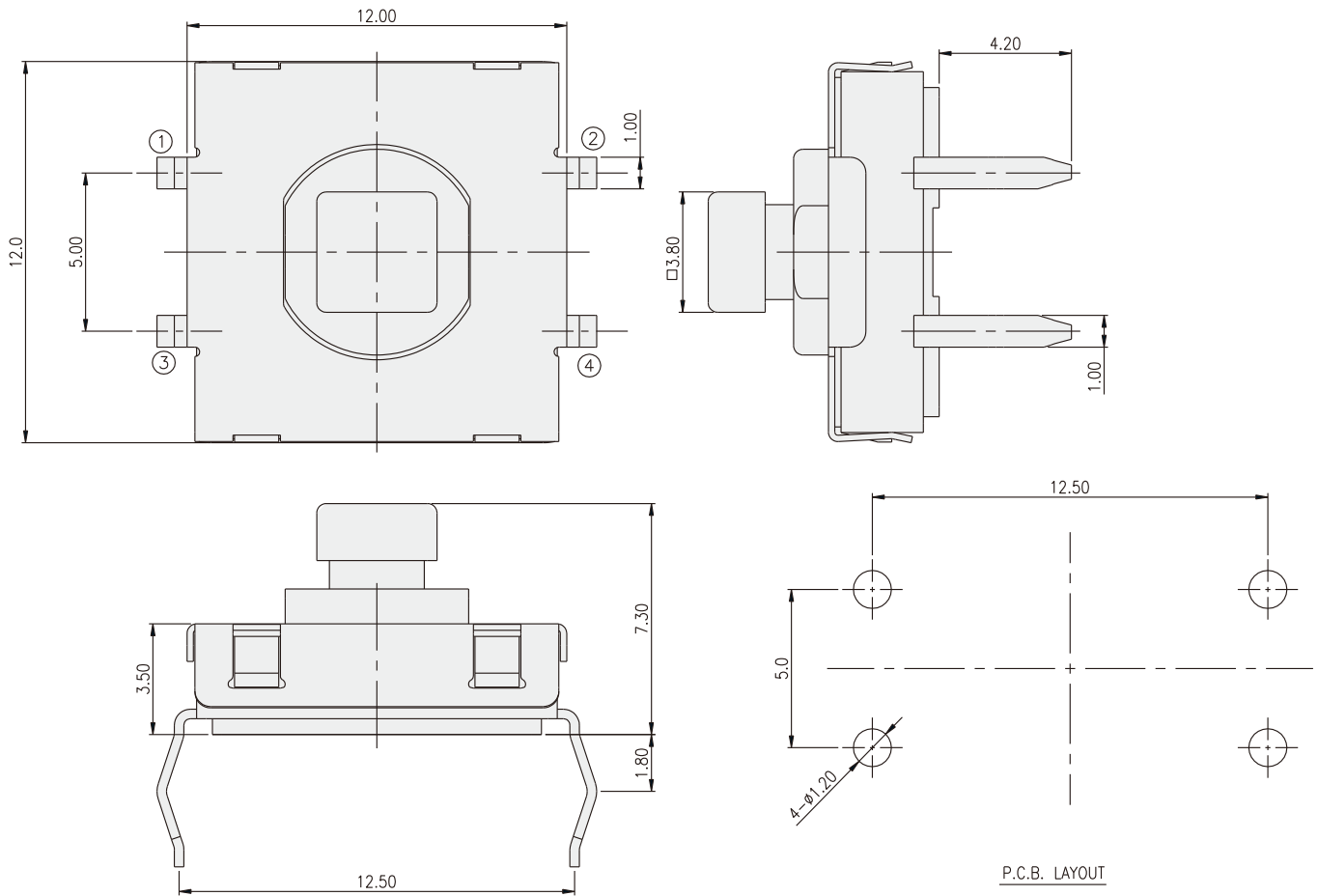
TACT SWITCH

TACT SWITCH  
**DTS( )W-2** SERIES

12x12 SMT & Through Hole  
Washable Type



DTSHW-24



TACT SWITCH