



FEATURES

- ✘ Do not have wear and damage problem by pressed contact structure
- ✘ Shock resistant switch, withstands harsh environments, Available in aluminum and plastic housings

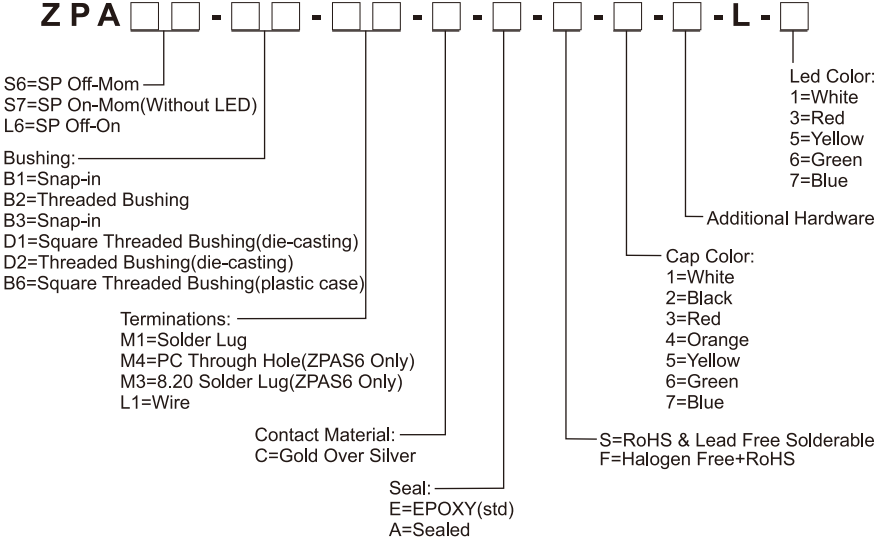
APPLICATION

- ✘ Lighting, Computer peripherals
- ✘ Communication
- ✘ Medical equipment.
- ✘ IPC, Marine

SPECIFICATION

Contact Rating	400mA 32VAC-100mA 50VDC-125mA 125VAC	ZPA S6/S7
	500mA 48VAC-200mA 50VDC-200mA 250VAC	ZPA L6
	100mA 24VDC 2A 125VAC	ZPA L6
Contact Resistance	50mΩ max.	
Insulation Resistance	1GΩ min. 500VDC	
Dielectric Strength	1,000VAC rms. 1,500VAC rms. for metal material.	
Operating Force	2N~5N	
Travel	1.5mm	ZPA S6/S7
	2.5mm	ZPA L6
Operating Life	500,000 cycles	ZPA S6/S7
	200,000 cycles(100mA, 24VDC) 10,000 cycles(2A, 125VAC)	ZPA L6
Operating Temp.	-30°C ~ +85°C	

HOW TO ORDER



CIRCUIT

Model No.	POS.1	POS.2
PAL6	OFF	ON
Term. Comm.	OPEN	1-3
SCHEMATIC		

PACKAGE

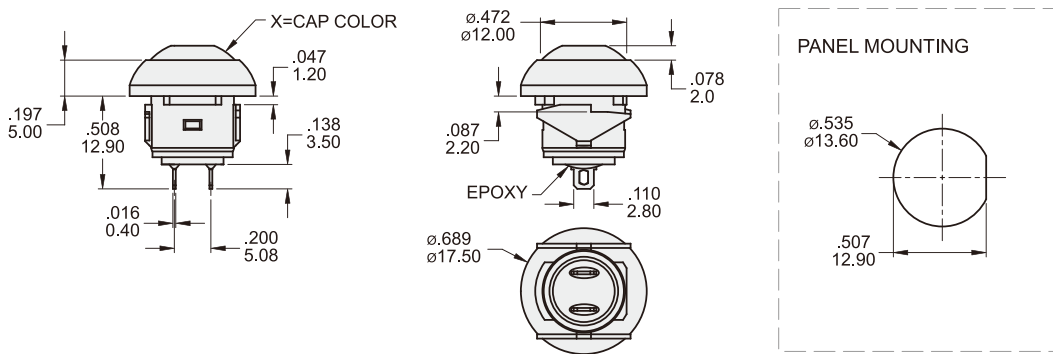
<Tray>
50 pcs.

SWITCH FUNCTION

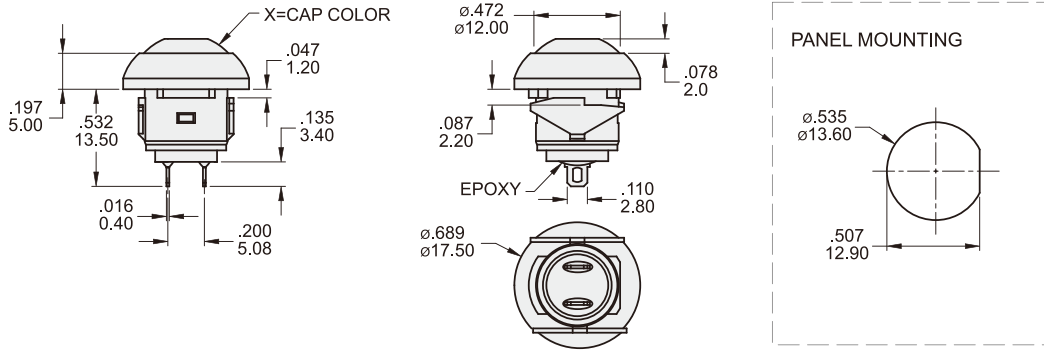
NO. POLES	MODEL NO.	SWITCH FUNCTION		CONNECTED TERMINALS		SCHEMATIC
		POS.1	POS.2	POS.1	POS.2	
SP	ZPAS6	OFF	MOM	OPEN	1-3	
SP	ZPAS7	ON	OFF(MOM)	1-3	OPEN	
SP	ZPAL6	OFF	ON	OPEN	1-3	

MOM=MOMENTARY

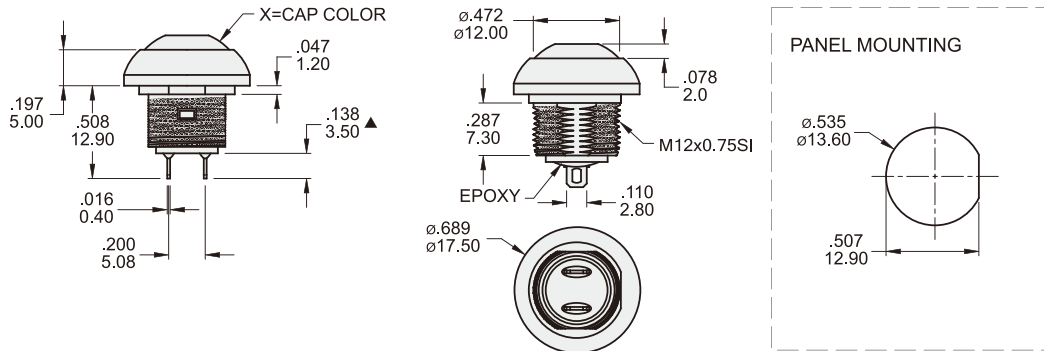
ZPAS6B1M1CESX-5



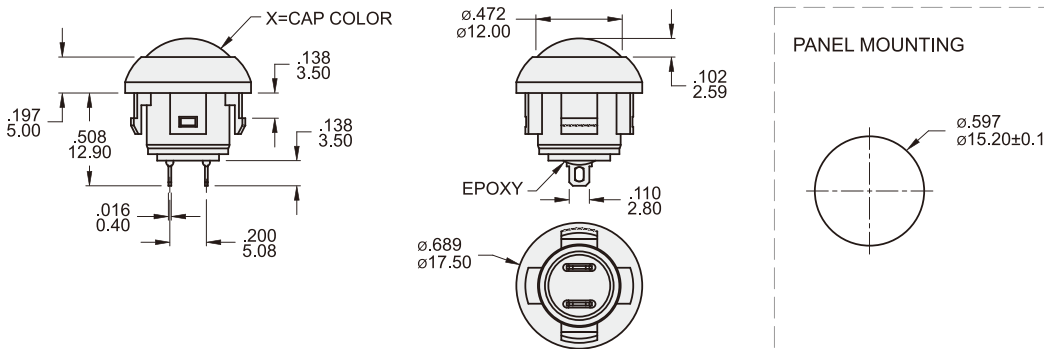
ZPAS7B1M1CESX-5



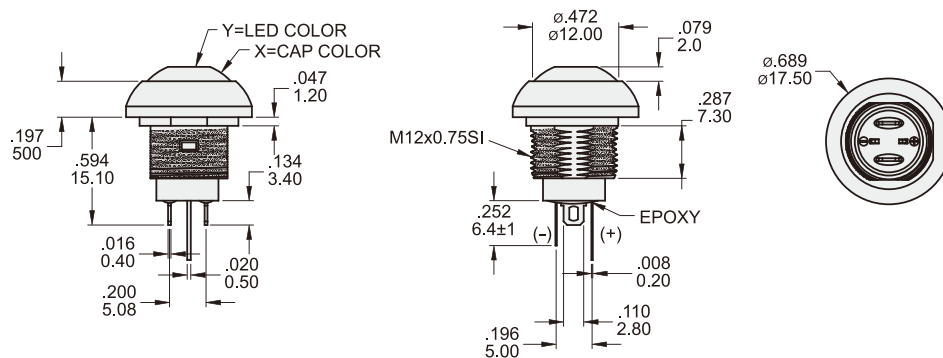
ZPAS6B2M1CESX-5



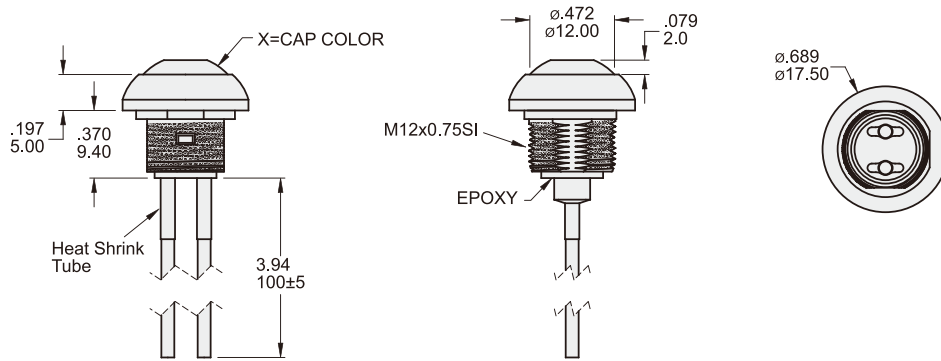
ZPAS6B3M1CESAX-5



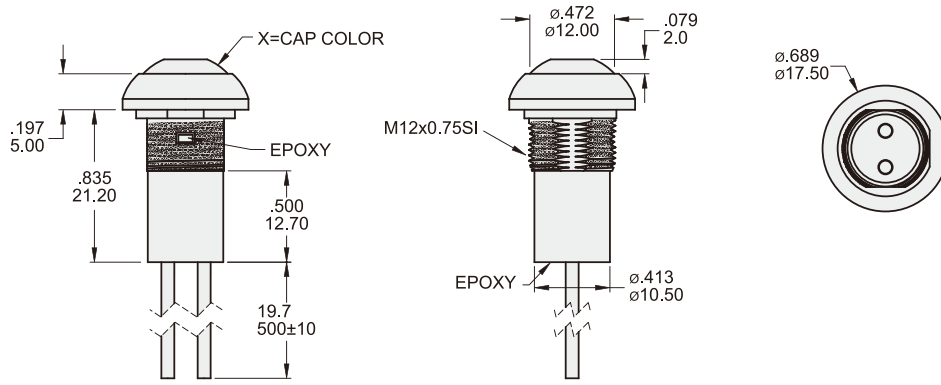
ZPAS6B2M1CESX-5LY



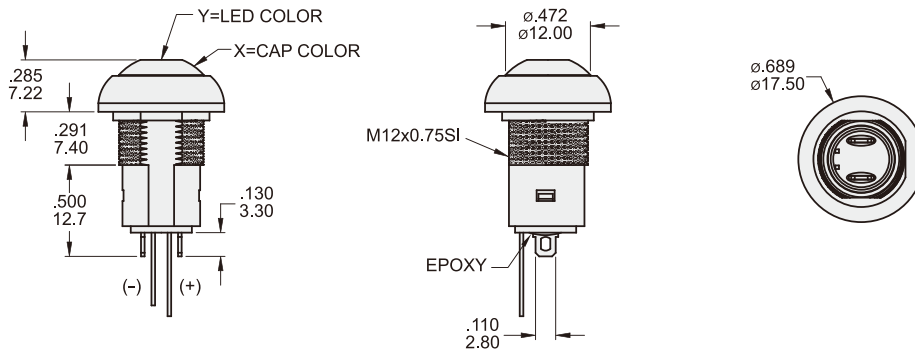
ZPAS6B2L3CESX-5



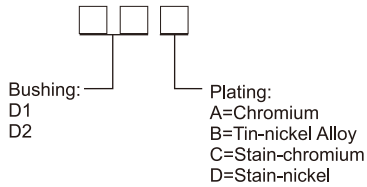
ZPAS6B2L1CASX-5



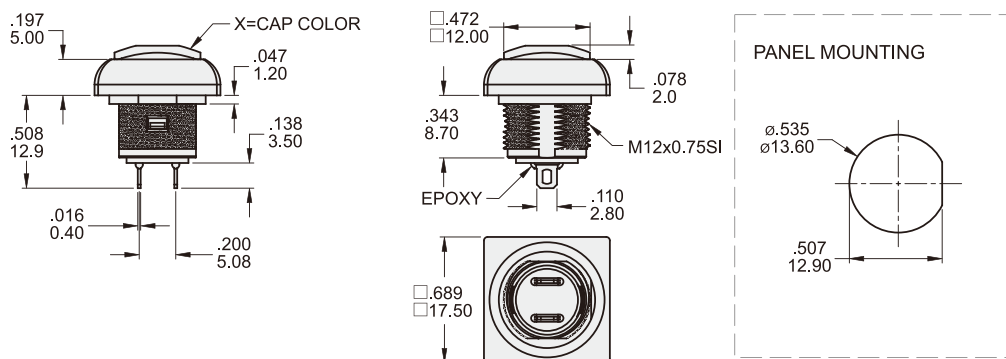
ZPAL6B2M1CESX-5LY



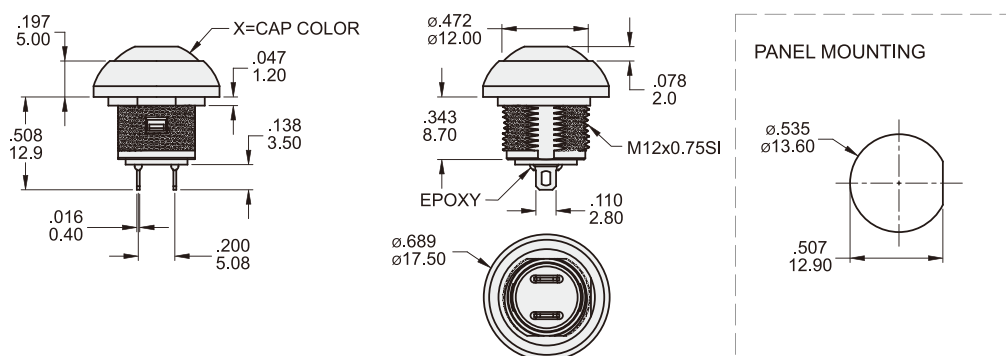
SWITCH FUNCTION



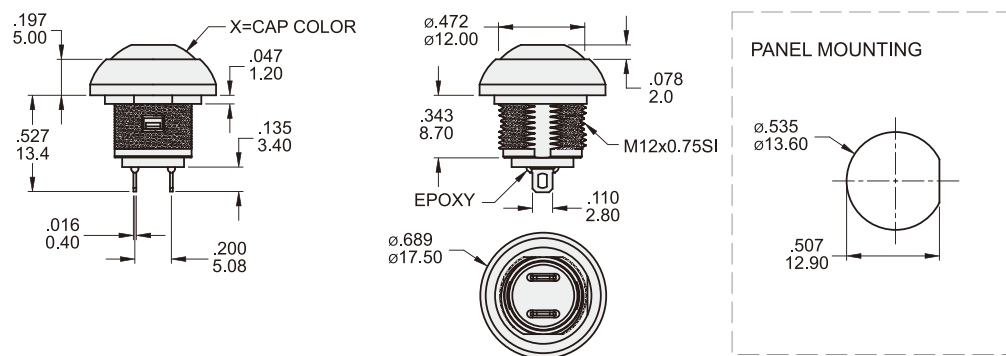
ZPAS6D1M1CESX-5



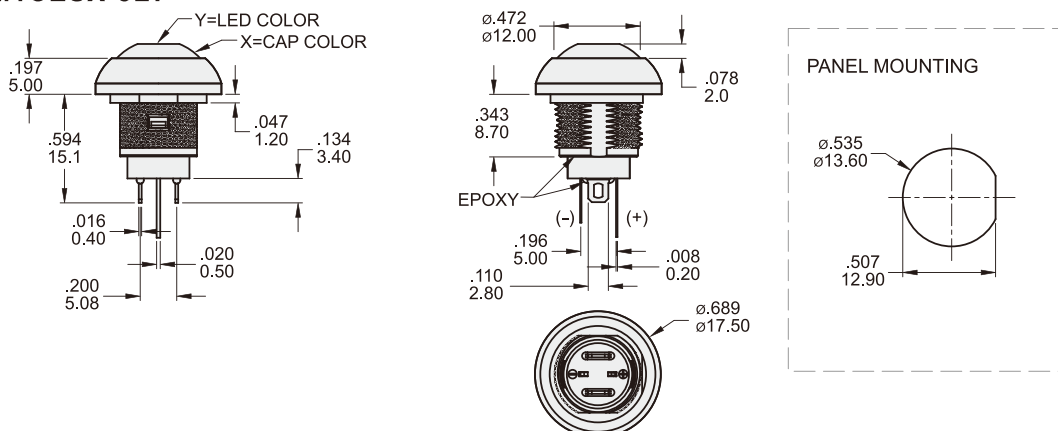
ZPAS6D2M1CESX-5



ZPAS7D2M1CESX-5



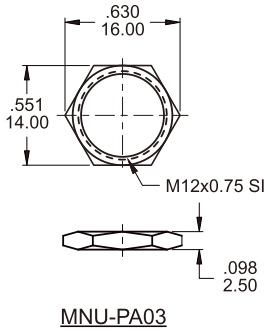
ZPAS6D2M1CESX-5LY



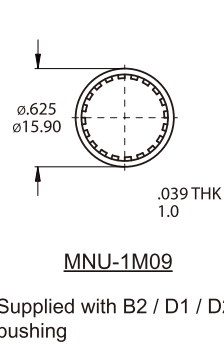
ILLUMINATED SWITCH

HARDWARE

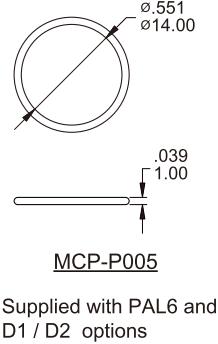
M12 NUT



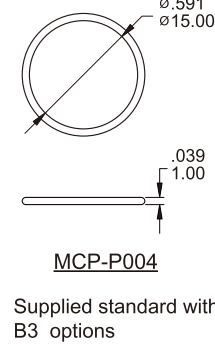
LOCK WASHER



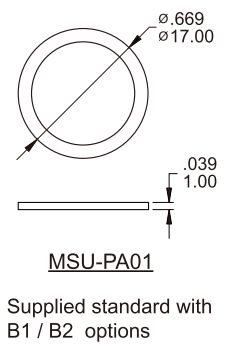
O-RING



O-RING



EVA WASHER



WITH LED ELECTRO-OPTICAL DATA

* The LED specification for reference only

Model No.	Lens Appearance	Color	Electro-optical Data (AT 20mA)				Peak Wavelength	Viewing Angle 2C 1/2 (deg)	
			Vf (V)		Iv (mcd)				
			Typ.	Max.	Typ.	Min.			
PAS6 & PAS7	Water Clear	Super White	2.8	3.3	200	100	X / Y=0.27	35°	
		Super Red	2.0	2.5	700	200	645		
		Yellow	2.1	2.6	100	55	589		
		Green	2.2	2.7	130	70	565		
		Super Blue	3.1	3.6	580	250	460		
		Super Yellow (Super Green)	Y	2	2.6	475	210		590
			G	2	2.6	210	140		570
		Super Yellow (Super Blue)	Y	2.1	2.6	200	94		590
			B	3.2	3.6	200	94		460
		Super Yellow (Super Red)	Y	2.1	2.6	100	63		590
			R	2	2.6	90	42		630
		Super Red (Super Green)	R	2	2.6	90	42		630
			G	2.0	2.6	90	42		570
		Super Red (Super Blue)	R	2	2.6	90	42		630
	B	3.2	3.6	200	94	460			
Super Green (Super Blue)	G	2.0	2.6	100	42	570			
	B	3.2	3.6	200	94	460			
PAL6	Water Clear	White	3.3	4	250	50	X=0.31 Y=0.31	90°	
		Super Red	1.95	2.5	350	70	635		
		Super Yellow	2	2.5	160	70	590		
		Super Green	2.1	2.5	70	18	570		
		Super Blue	3.3	4	150	36	470		
		Super Yellow (Super Green)	Y	2	2.5	170	50	590	170°
			G	2.1	2.5	50	18	570	
		Super Yellow (Super Red)	Y	1.95	2.5	220	70	630	
			R	2	2.5	170	50	590	
		Super Red (Super Green)	R	1.95	2.5	220	70	630	
	G	2.1	2.5	50	18	570			

SOLDERING PROCESSES

MANUAL SOLDERING: Use soldering iron of 30 watts, controlled at 350°C approximately 5 seconds while applying solder.

WAVE SOLDERING:
Recommended Soldering Temperature: 260 ± 5°C
Duration of Solder Immersion: Max 5 sec.

(PCB is 1.6mm in thickness)

IP 67 for the whole series:
Protected against the effects of immersion up to 1 m water(30mn)

