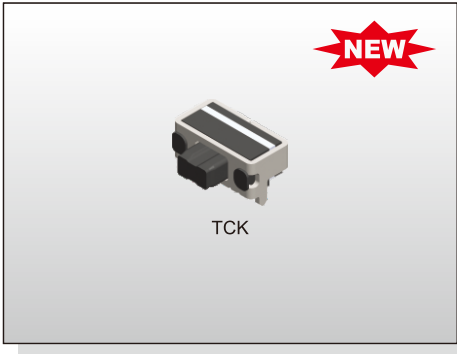


TACT SWITCH  
**TCK** SERIES

1.55x3.85  
PCB Sealed Type Side Push



TCK

**FEATURES**

- ※Side-operational type
- ※PCB-base structure
- ※Sealed with dust proof

**APPLICATION**

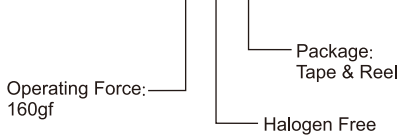
- ※Smart phone
- ※Portable devices

**SPECIFICATION**

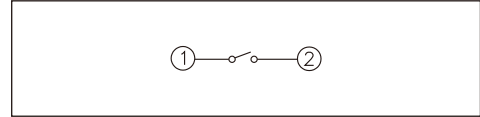
Contact Rating	20mA, 12V DC
Contact Resistance	100mΩ max.
Insulation Resistance	100MΩ min. 100V DC
Dielectric Strength	250V AC/1 minute
Operating Force	160±50gf
Travel	0.2mm
Operating Life	200,000 cycles
Operating Temp.	-40°C ~ +85°C
Storage Temp.	-40°C ~ +85°C

**HOW TO ORDER**

**TCK2QR**



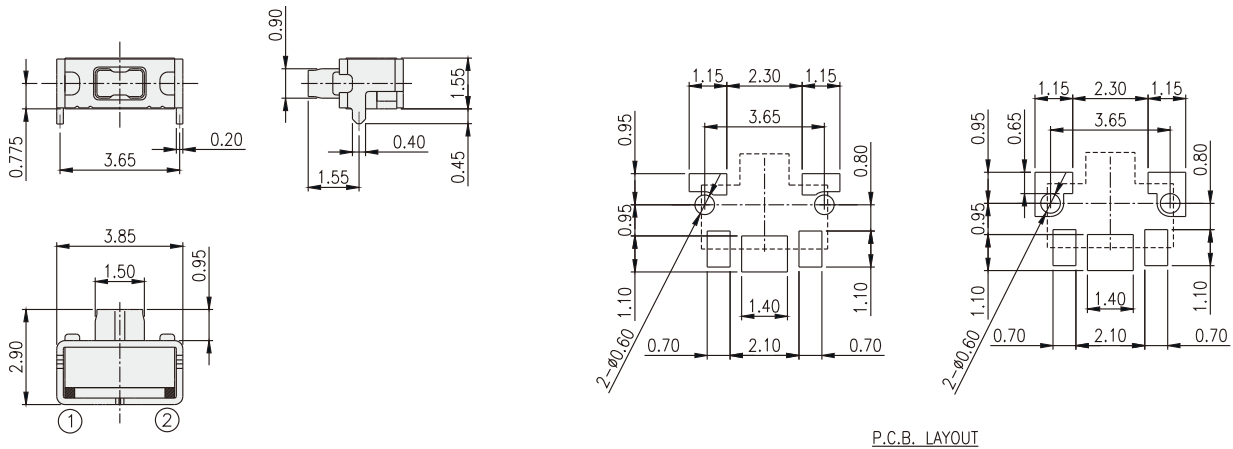
**CIRCUIT**



**PACKAGE**

<Tape & Reel>  
3000 pcs

**TCK**



P.C.B. LAYOUT

TACT SWITCH