

FEATURES

- ※Double action with lever
- ※1.4mm height

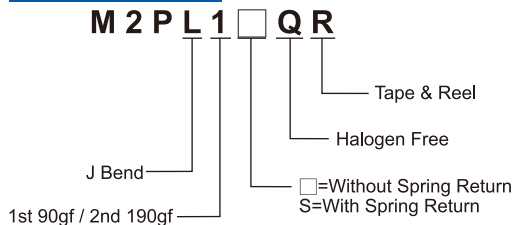
APPLICATION

- ※Camera
- ※Mobile phone & peripherals

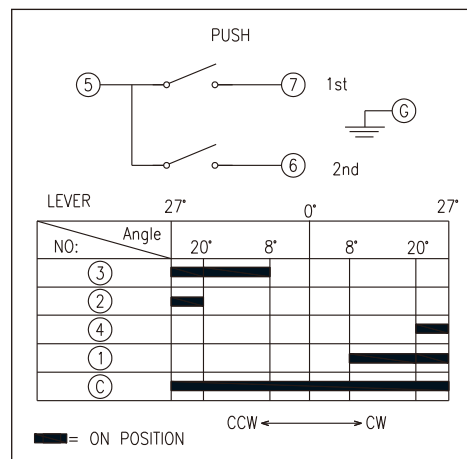
SPECIFICATION

| | |
|-----------------------|--------------------------------------------------------------|
| Contact Rating | 01mA, 3V DC~10mA, 5V DC |
| Contact Resistance | 1Ω max. |
| Insulation Resistance | 100MΩ min. 500V DC |
| Dielectric Strength | 100V AC/1 minute |
| Operating Force | Lever:70gf.cm MAX Push:90±40gf, 1st 190±60gf, 2nd |
| Travel | Lever:8°, 1st 20°, 2nd Push:0.15mm, 1st 0.30mm, 2nd |
| Operating Life | 50,000 cycles |
| Operating Temp. | -40°C ~ +85°C |
| Storage Temp. | -40°C ~ +85°C |

HOW TO ORDER



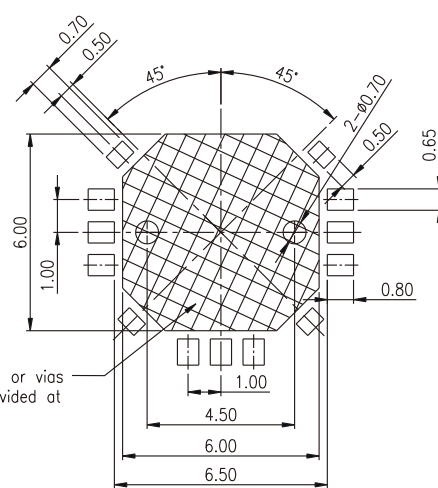
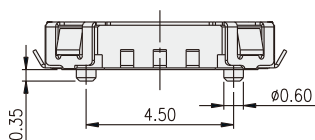
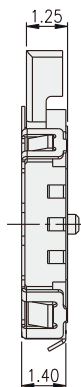
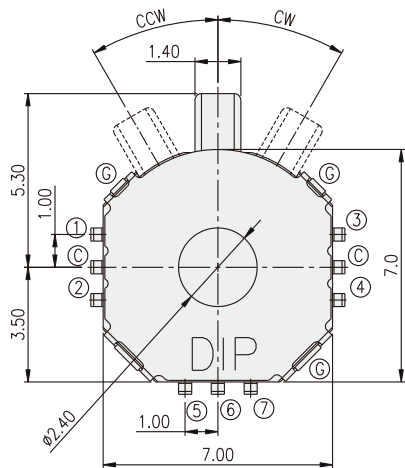
CIRCUIT



PACKAGE

<Tape & Reel>
2300 pcs

M2P



Any land pattern or vias shall not be provided at 6x6 area.

P.C.B. LAYOUT

MULTI FUNCTION SWITCH