

PL3

FEATURES

※ Multi function (Push & Lever)

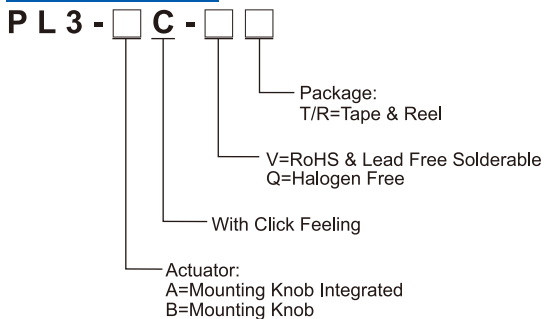
APPLICATION

※ Remote controls
 ※ Volume control for variety of applications

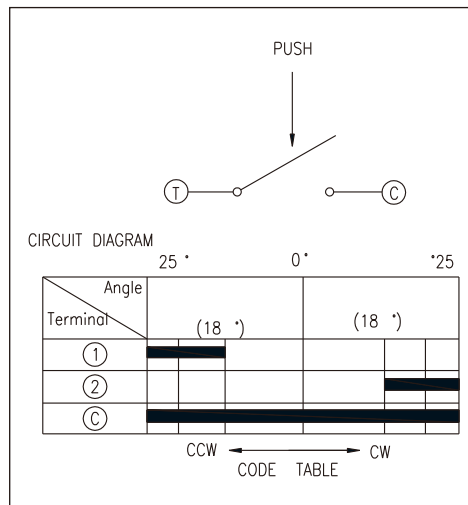
SPECIFICATION

Contact Rating	10mA, 5V DC
Contact Resistance	100mΩ max.
Insulation Resistance	100MΩ min. 100V DC
Dielectric Strength	100V AC/1 minute
Operating Force	70±50gf, Lever(CW, CCW) 200±100gf, Center push
Operating Life	100,000 cycles
Operating Temp.	-10°C ~ +60°C
Storage Temp.	-30°C ~ +80°C

HOW TO ORDER



CIRCUIT



PACKAGE

<Tape & Reel>
900 pcs

PL3-AC

