

**FEATURES**

- ※2.0mm height
- ※Double-side recoil
- ※Stroke 1.5mm

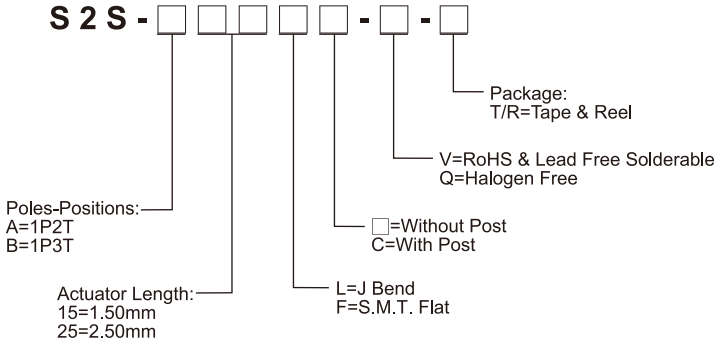
**APPLICATION**

- ※Remote control
- ※Consumer electronics
- ※Instrumentations

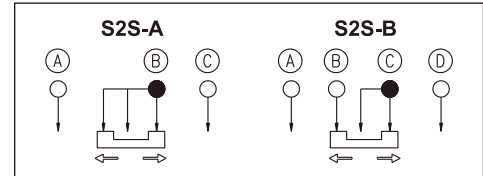
**SPECIFICATION**

|                       |                    |
|-----------------------|--------------------|
| Contact Rating        | 300mA, 4V DC       |
| Contact Resistance    | 70mΩ max.          |
| Insulation Resistance | 100MΩ min. 100V DC |
| Dielectric Strength   | 100V AC/1 minute   |
| Operating Force       | 100±50gf           |
| Travel                | 1.5mm              |
| Operating Life        | 50,000 cycles      |
| Operating Temp.       | -30°C ~ +80°C      |
| Storage Temp.         | -40°C ~ +90°C      |

**HOW TO ORDER**



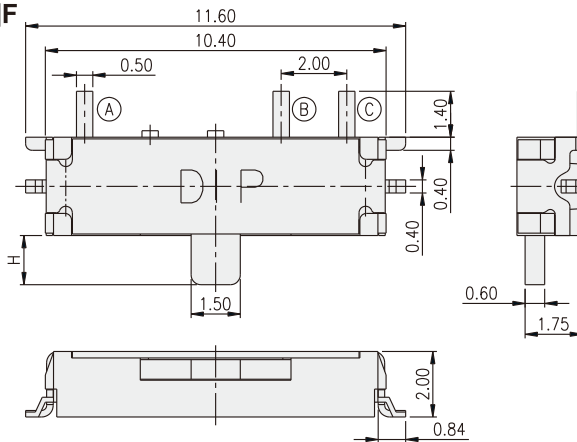
**CIRCUIT**



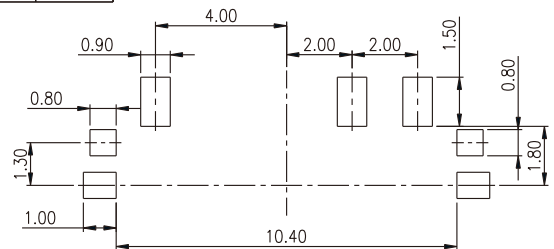
**PACKAGE**

<Tape & Reel>  
2000 pcs

**S2S-A** [ ] [ ] [ ] F

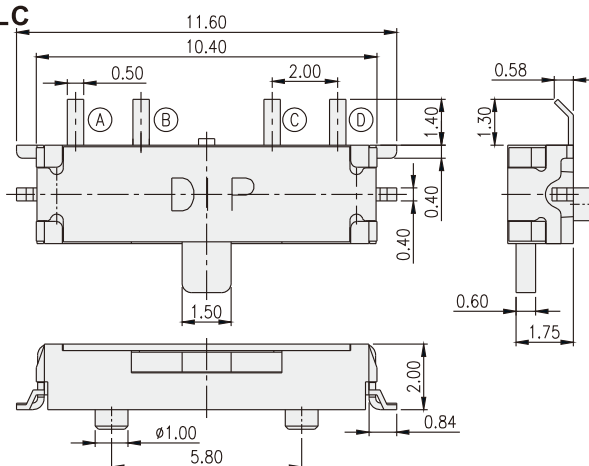


| PART NO. | H    |
|----------|------|
| S2S-A15F | 1.50 |
| S2S-A25F | 2.50 |

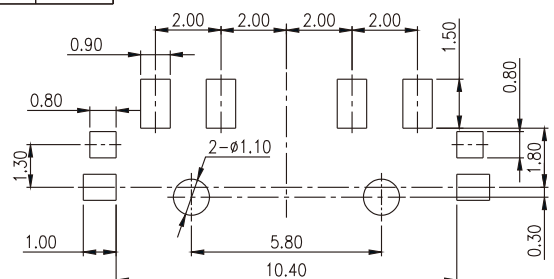


P.C.B. LAYOUT

**S2S-B** [ ] [ ] [ ] LC



| PART NO.  | H    |
|-----------|------|
| S2S-B15LC | 1.50 |
| S2S-B25LC | 2.50 |



P.C.B. LAYOUT