

FEATURES

- ※2.0mm height
- ※1P2T model
- ※Reflow solderable

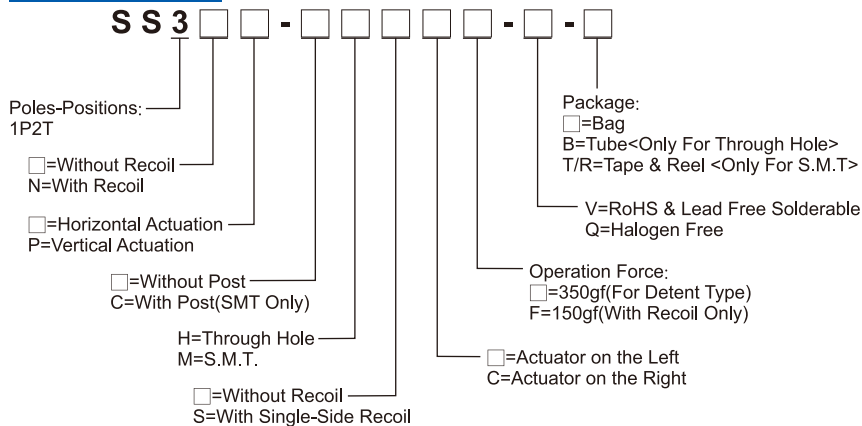
APPLICATION

- ※Remote control
- ※Consumer electronics
- ※Instrumentations

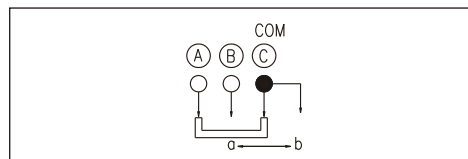
SPECIFICATION

Contact Rating	25mA, 24V DC
Contact Resistance	100mΩ max.
Insulation Resistance	100MΩ min. 500V DC
Dielectric Strength	500V AC/1 minute
Operating Force	100gf min./350gf max.(Detent Type) 150±100gf(Recoil Type)
Travel	2mm
Operating Life	10,000 cycles
Operating Temp.	-20°C ~ +70°C
Storage Temp.	-40°C ~ +85°C

HOW TO ORDER



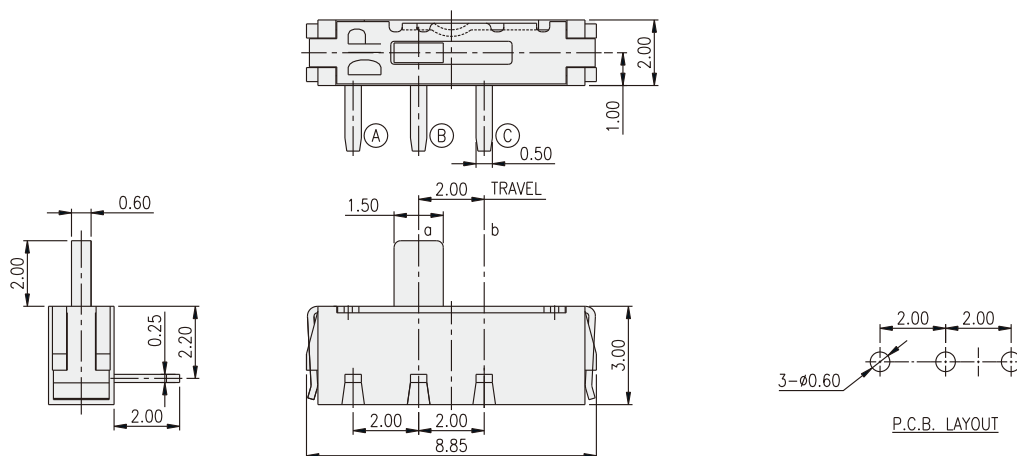
CIRCUIT



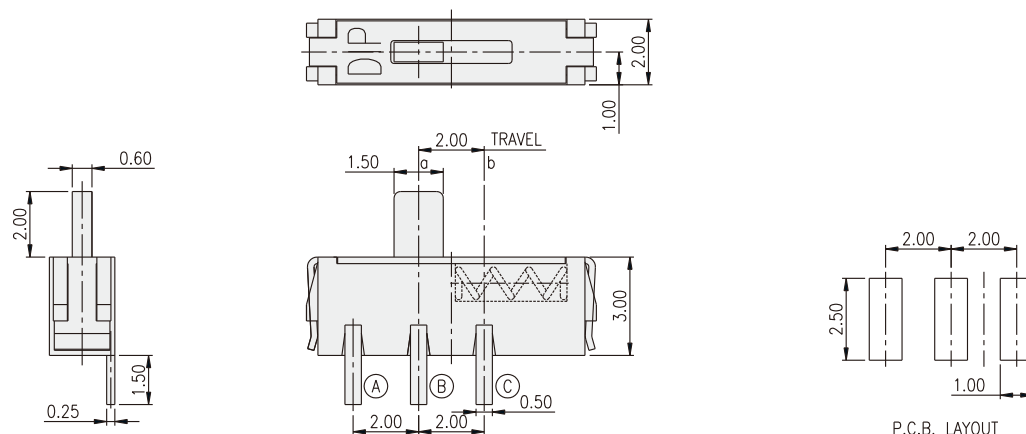
PACKAGE

- <Bag>
2000 pcs
- <Tube>
53 pcs
- <Tape & Reel>
SS3-CM: 1900 pcs
SS3NP: 1000 pcs

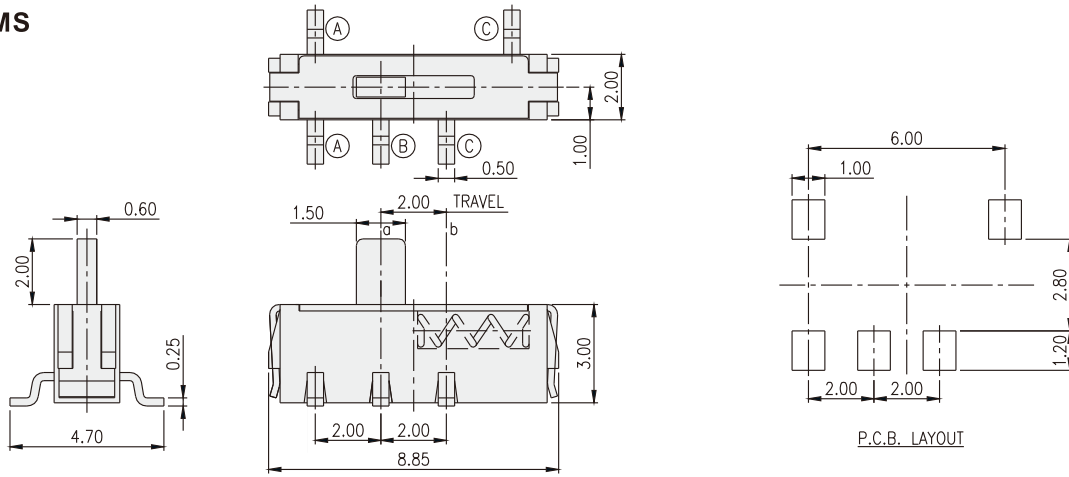
SS3-H



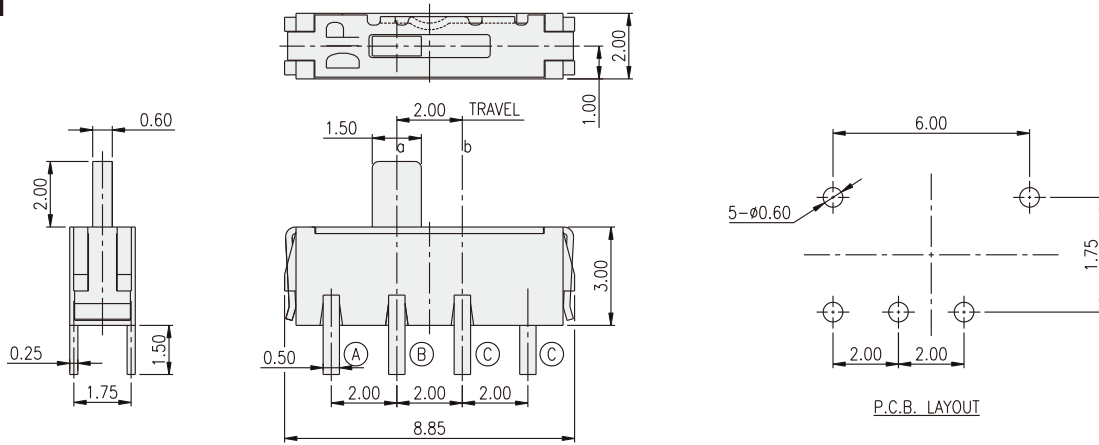
SS3N-MS



SS3NP-MS



SS3P-H



SS3-CM

