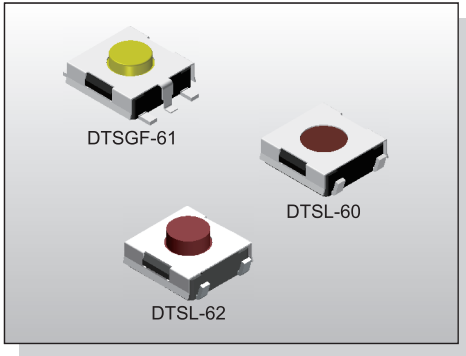


# TACT SWITCH DTS(L)(F)-6 SERIES

6x6 Thinner Type With Ground Terminal  
(Pitch 4.0mm)



## FEATURES

- ✘ Thinner type with 2.0-3.1mm height
- ✘ Available with ground terminal
- ✘ Reflow solderable

## APPLICATION

- ✘ Audio, OA equipment
- ✘ Instrumentation
- ✘ White goods

## SPECIFICATION

Contact Rating	50mA, 12V DC
Contact Resistance	100mΩ max.
Insulation Resistance	100MΩ min. 500V DC
Dielectric Strength	250V AC/1 minute
Operating Force	100±50gf, Black(K) 160±50gf, Brown(N) 200±50gf, Brown(N) 62 Only 260±50gf, Red(R) 320±80gf, White(S) 520±130gf, Yellow(Y)
Travel	0.25+0.2/-0.1mm
Operating Life	300,000 cycles for 520/320gf 500,000 cycles for 260/200gf 1,000,000 cycles for 160/100gf
Operating Temp.	-25°C ~ +70°C
Storage Temp.	-30°C ~ +80°C

## HOW TO ORDER

**D T S**   - **6**    -  -

G=With Ground Terminal  
=Without Ground Terminal

L=With L S.M.T Terminal  
 F=With F S.M.T Terminal

Total Height:  
 0=2.0mm  
 1=2.5mm  
 2=3.1mm

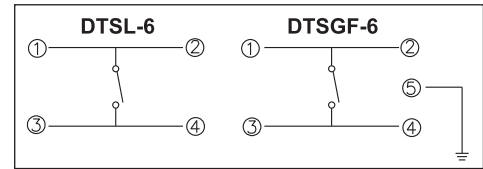
Operating Force:  
 K=Black, 100g  
 N=Brown, 160g  
 R=Red, 260g  
 S=White, 320g  
 Y=Yellow, 520g  
 N=Brown, 200g <Soft actuator 62 Only>

Package:  
 B=Tube  
 T/R=Tape & Reel

V=RoHS & Lead Free Solderable  
 Q=Halogen Free

Actuator Type<62 Only>:  
=Soft  
=Hard

## CIRCUIT

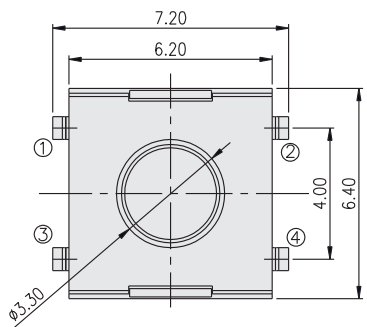


## PACKAGE

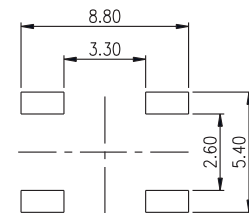
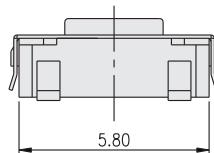
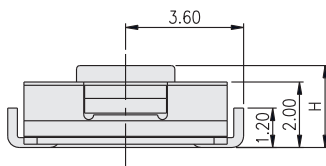
<Tube>  
75 pcs

<Tape & Reel>  
 DTS(G)F-60-T/R / DTSF-61-T/R: 3000 pcs  
 DTS(G)L-60-T/R / DTS(G)L-61-T/R: 2700 pcs  
 DTS(G)L-62-T/R / DTS(G)F-62-T/R: 2500 pcs  
 DTSGF-61-T/R: 2500 pcs

## DTSL-6



NAME	H
DTSL-60	2.00
DTSL-61	2.50
DTSL-62	3.10



P.C.B. LAYOUT

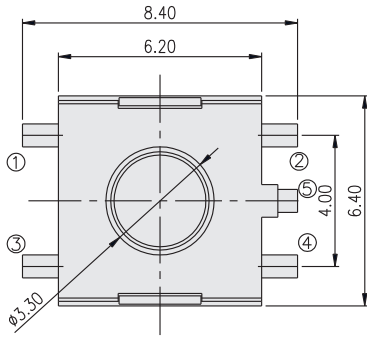
TACT SWITCH

TACT SWITCH  
**DTS(L)(F)-6** SERIES

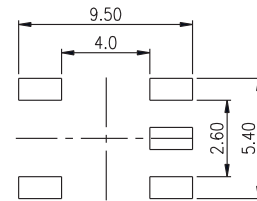
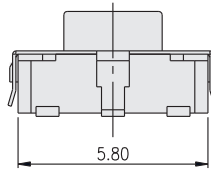
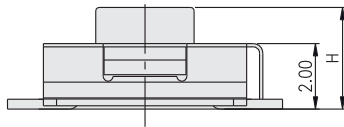
6x6 Thinner Type With Ground Terminal  
 (Pitch 4.0mm)



DTSGF-6



NAME	H
DTSGF-60	2.00
DTSGF-61	2.50
DTSGF-62	3.10



P.C.B. LAYOUT

TACT SWITCH