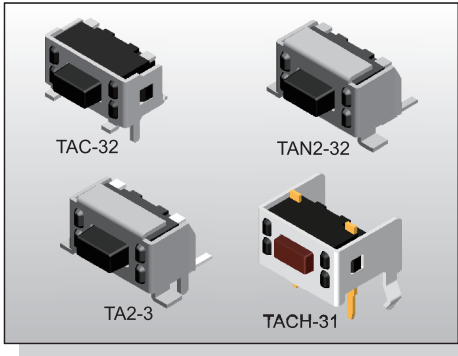


TACT SWITCH TAC/TA2-3 SERIES

4x7
SMT & Side Push Type



FEATURES

- ※ Side actuated
- ※ Support/Ground pin option
- ※ High solder strength

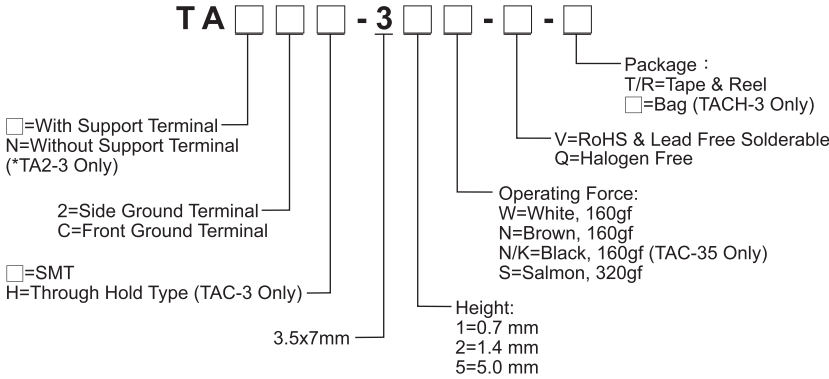
APPLICATION

- ※ Data storage, Server
- ※ Instrumentation
- ※ Audio, OA equipment

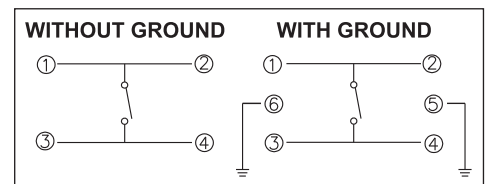
SPECIFICATION

Contact Rating	50mA, 12V DC	
Contact Resistance	100mΩ max.	
Insulation Resistance	100MΩ min. 500V DC	
Dielectric Strength	250V AC/1 minute	
Operating Force	160±50gf, 260±50gf	TAC-3
	160±50gf, White(W)	TA2-3
	160±50gf, Brown(N)	
	320±50gf, Salmon(S)	
Travel	0.25+0.1/-0.2mm	
Operating Life	20,000 cycles for 260gf	TAC-3
	50,000 cycles for 160gf	TA2-3
	30,000 cycles for 320gf	
	100,000 cycles for 160gf	
Operating Temp.	-25°C ~ +70°C	
Storage Temp.	-40°C ~ +80°C	

HOW TO ORDER



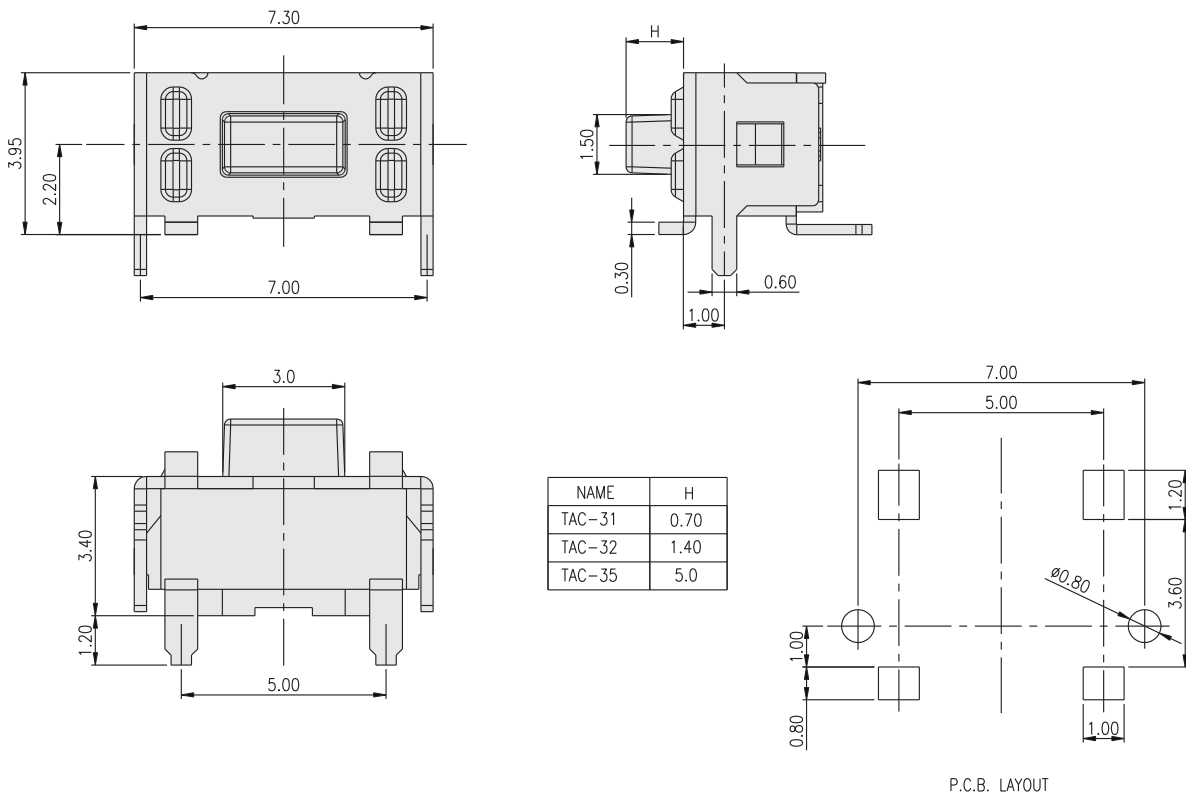
CIRCUIT



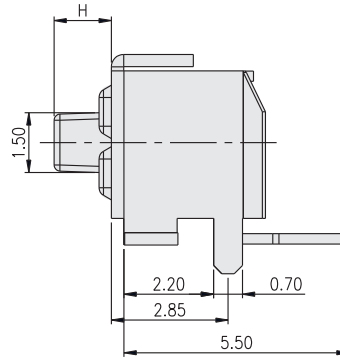
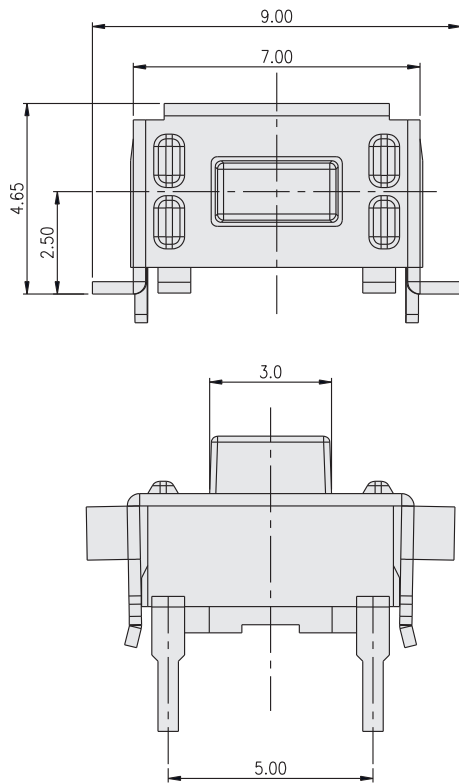
PACKAGE

<Bag>
500 pcs
<Tape & Reel>
900 pcs

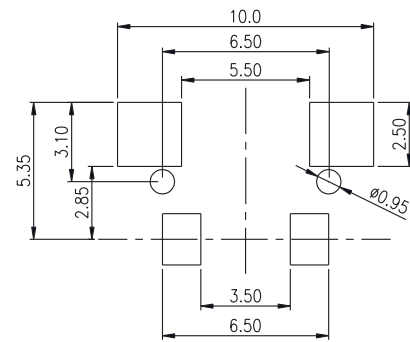
TAC-3



TA2-3



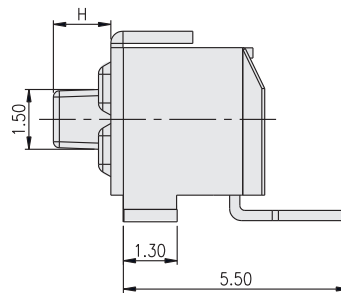
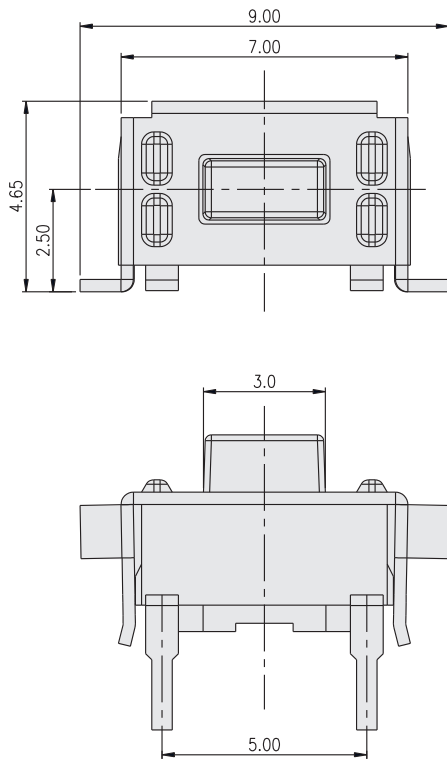
NAME	H
TA2-31	0.70
TA2-32	1.40
TA2-35	5.0



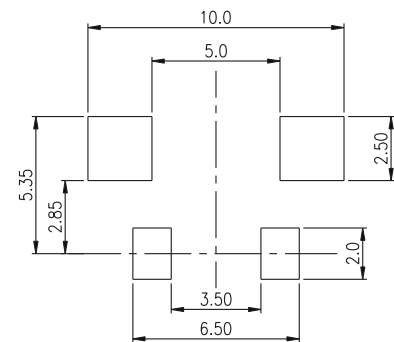
P.C.B. LAYOUT

TACT SWITCH

TAN2-3



NAME	H
TAN2-31	0.70
TAN2-32	1.40
TAN2-35	5.0



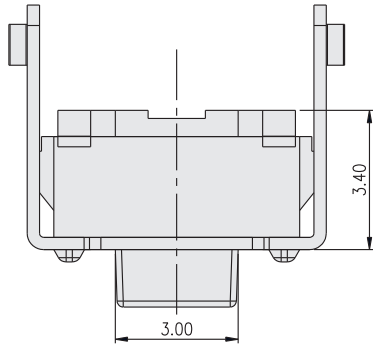
P.C.B. LAYOUT

TACT SWITCH
TAC/TA2-3 SERIES

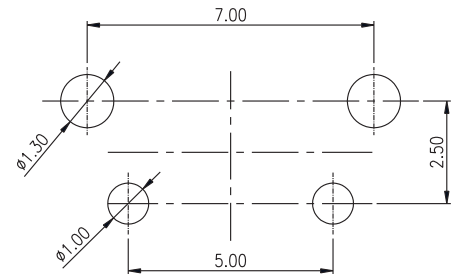
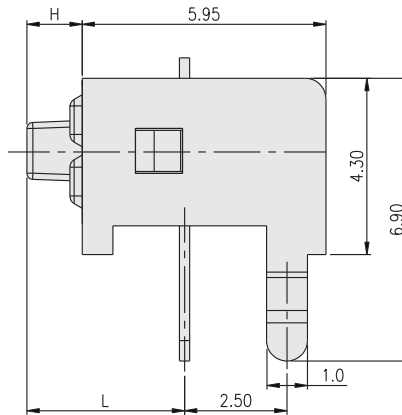
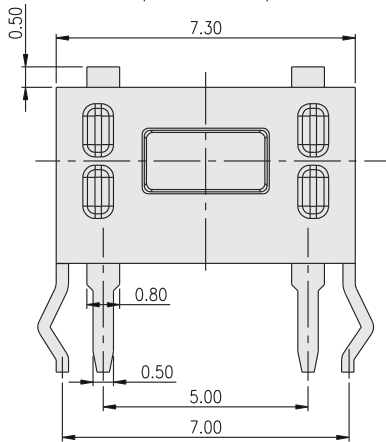
4x7
 SMT & Side Push Type



TACH-3



NAME	H	L
TACH-31	0.70	3.15
TACH-32	1.40	3.85
TACH-35	5.0	7.45



P.C.B. LAYOUT

TACT SWITCH