

FEATURES

- ※High reliable metal contacts
- ※Reflow solderable
- ※Cap options

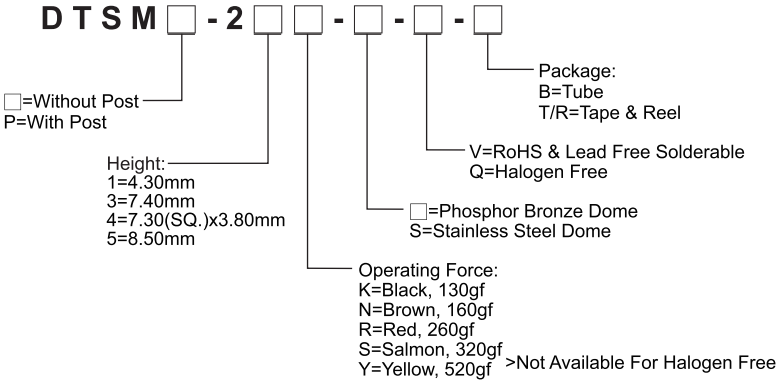
APPLICATION

- ※Audio, OA equipment
- ※Instrumentation
- ※Industrial

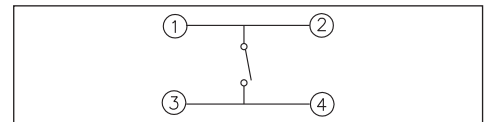
SPECIFICATION

Contact Rating	50mA, 12V DC
Contact Resistance	100mΩ max.
Insulation Resistance	100MΩ min. 500V DC
Dielectric Strength	250V AC/1 minute
Operating Force	130±50gf, Black(K) 160±50gf, Brown(N) 260±50gf, Red(R) 320±80gf, Salmon(S) 520±130gf, Yellow(Y)
Travel	0.35mm
Operating Life	Phosphor Bronze Dome 100,000 cycles for 520/320/260gf 200,000 cycles for 160gf Stainless Steel Dome 300,000 cycles for 520/320gf 500,000 cycles for 260gf 1,000,000 cycles for 160gf 10,000,000 cycles for 130gf
Operating Temp.	-25°C ~ +70°C
Storage Temp.	-30°C ~ +80°C

HOW TO ORDER



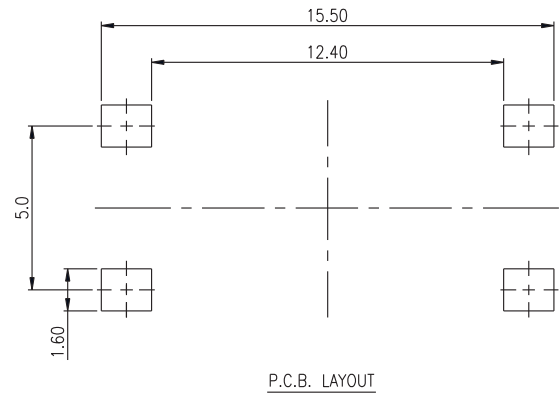
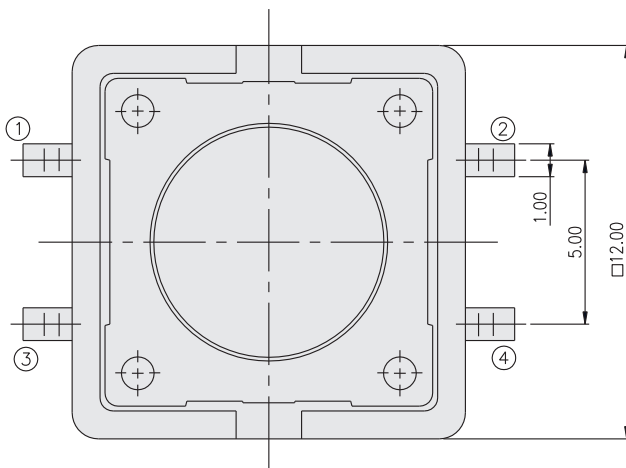
CIRCUIT



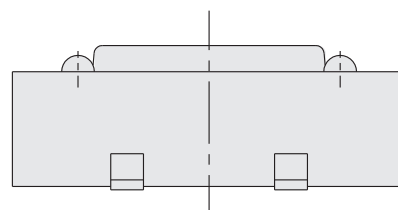
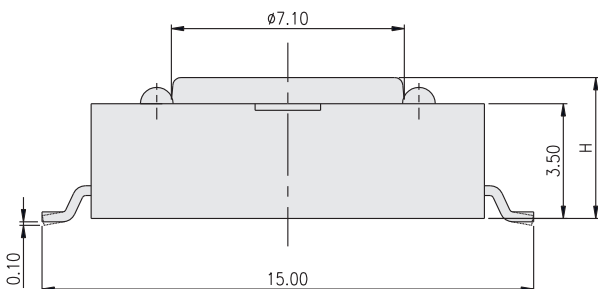
PACKAGE

- <Tube>
DTSM-2: 40 pcs
- <Tape & Reel>
DTSM-21: 700 pcs
DTSM-23, 24: 500 pcs
DTSM-25: 400 pcs

DTSM-2

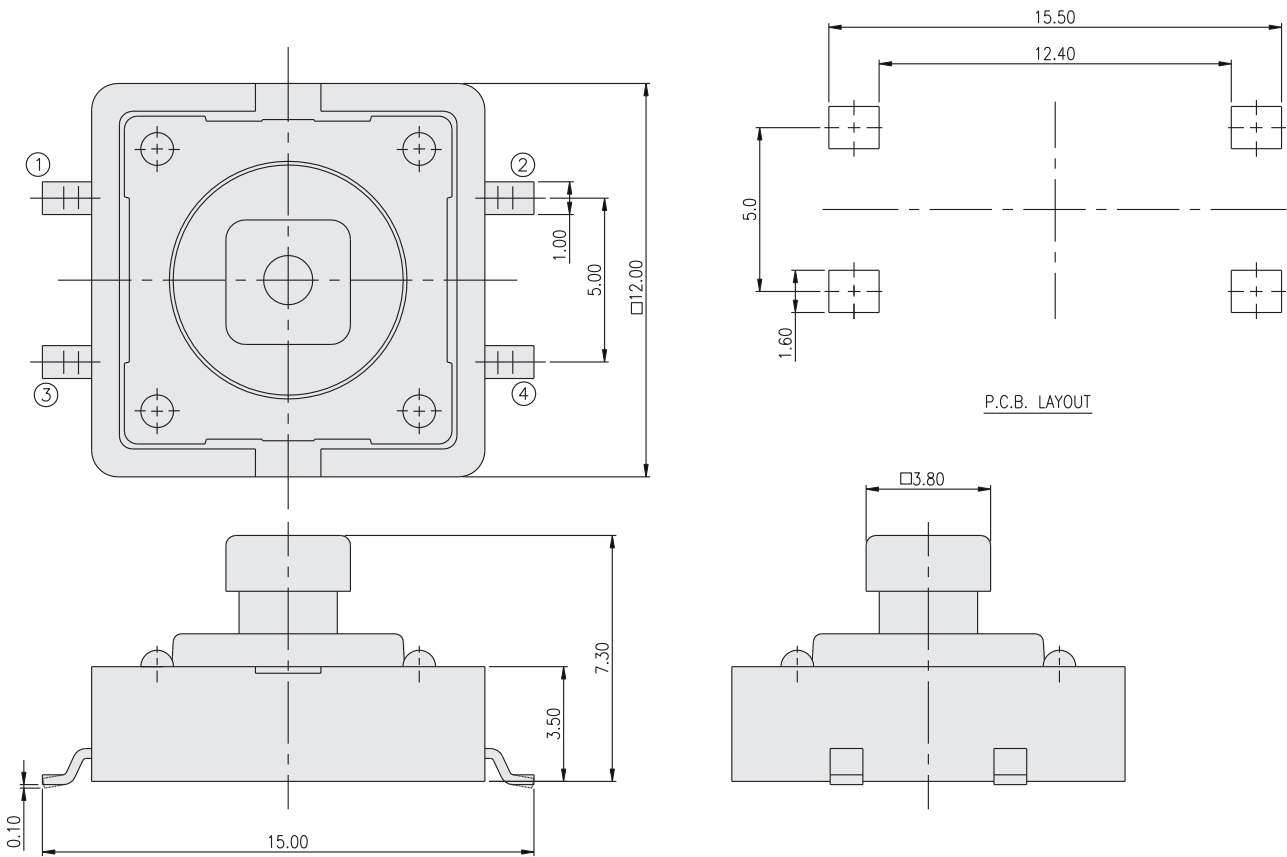


PART NO.	H
DTSM-21	4.30
DTSM-23	7.40
DTSM-25	8.50



TACT SWITCH

DTSM-24



TACT SWITCH

DTSM-2

