

MLF

**FEATURES**

- ※Horizontal operating
- ※Various LED colors
- ※Mid-mount type

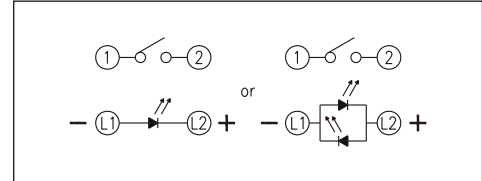
**APPLICATION**

- ※Server, desktop
- ※Communication apparatus
- ※IPC

**SPECIFICATION**

Contact Rating	50mA, 12V DC
Contact Resistance	100mΩ max.
Insulation Resistance	10MΩ min. 100V DC
Dielectric Strength	250V AC/1 minute
Operating Force	200±70gf
Travel	1.5mm
Operating Life	100, 000 cycles
Operating Temp.	-40°C ~ +85°C
Storage Temp.	-40°C ~ +85°C

**CIRCUIT**



**PACKAGE**

<Tape & Reel>  
570 pcs.

**HOW TO ORDER**

**MLF-3**   **QR**

Operating Force:  
200gf

Package:  
Tape & Reel

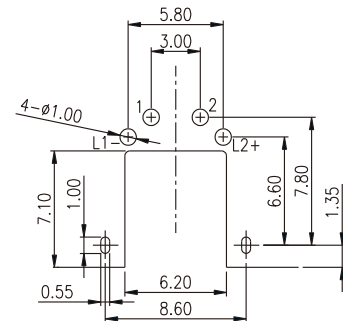
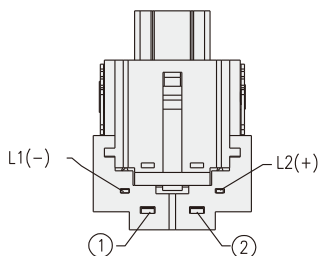
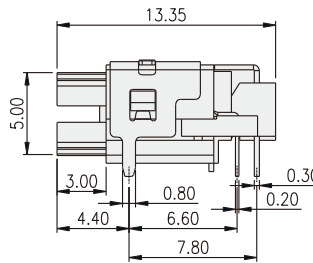
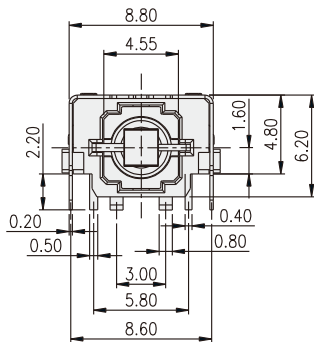
Halogen Free

LED Color:  
=Without LED  
AW=Amber/White

**MLF**

**LED Color Options:**

Part No.	Color	Dominant Wavelength $\lambda_p$ Typ.(nm)	Luminous Intensity $I_v$ (mod)	Forward Voltage $V_F$ (V)		View Angle $2-\theta_{1/2}$ (Degree)
			Typ.	Typ.	Max.	
B	Blue	470	70	3.0	3.6	140°
PG	Pure Green	520	160	3.2	3.6	
G	Yellow Green	570	30	2.0	2.3	
Y	Yellow	590	60	2.0	2.3	
A	Soft Orange	605	50	2.0	2.3	
R	Deep Red	640	25	2.0	2.3	
W	Cold White	X:0.30 / Y:0.30	350	3.0	3.6	



P.C.B. LAYOUT